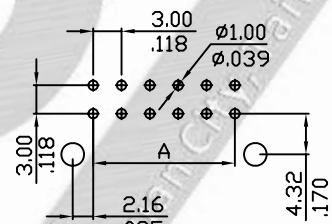
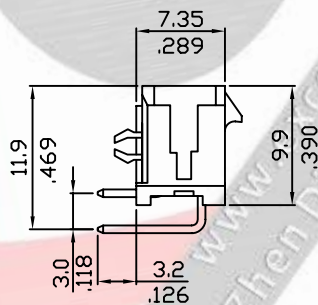
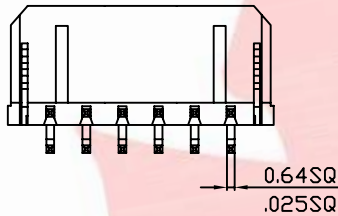
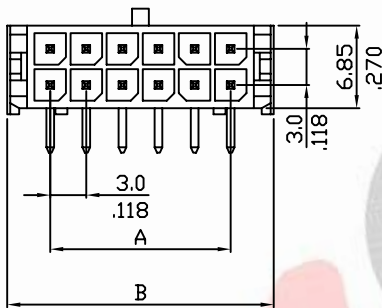
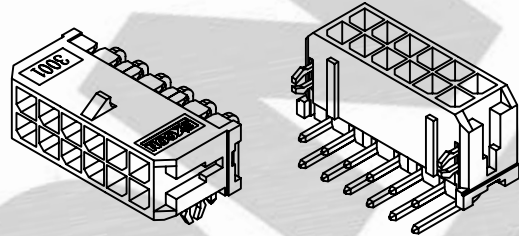


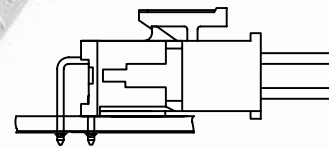
### Wafer (Right angle type with clips)

1. Part No.: 3001xxWF003
2. Part Name: 3001 Wafer
3. Material: Nylon 66 UL 94V0  
or Polyester LCP UL94V0  
Pin: Brass bronze, Tin plated
4. Color: Black



#### RECOMMENDED PCB LAYOUT

(PCB T=1.0~1.6mm)  
(PCB T=.039~.063mm)



#### Mating Dimensions

### Ordering Information and Dimensions:

Part No.		Circuits	Dim A	Dim B	Part No.		Circuits	Dim A	Dim B
LCP	NY 66				LCP	NY 66			
300102WF103	300102WF003	2	-- --	6.65(.262)	300114WF103	300114WF003	14	18.0(.709)	24.65(.970)
300104WF103	300104WF003	4	3.0(.118)	9.65(.380)	300116WF103	300116WF003	16	21.0(.827)	27.65(1.089)
300106WF103	300106WF003	6	6.0(.236)	12.65(.498)	300118WF103	300118WF003	18	24.0(.945)	30.65(1.207)
300108WF103	300108WF003	8	9.0(.354)	15.65(.616)	300120WF103	300120WF003	20	27.0(1.063)	33.65(1.325)
300110WF103	300110WF003	10	12.0(.472)	18.65(.734)	300122WF103	300122WF003	22	30.0(1.181)	36.65(1.443)
300112WF103	300112WF003	12	15.0(.591)	21.65(.852)	300124WF103	300124WF003	24	33.0(1.299)	39.65(1.561)

### Part Code Information:

3001-WW XX YYY

① ② ③ ④

③ Product Type

WF=Wafer (Right angle type with clips)

④ Material/Finishing/Color

003=NY 66 94V0,Black Color

103=Polyester LCP UL94V0, Black Color

① Series Name

② Circuits Number

02~24