

# FEMALE HEADER DIP TRIPLE ROW Y-TYPE

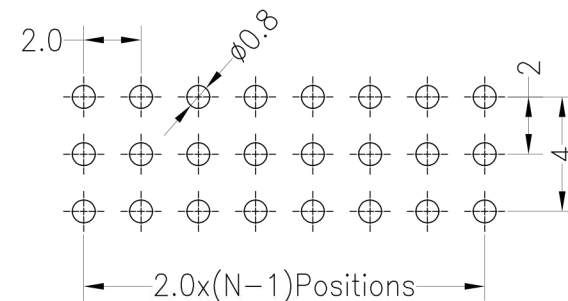
## 23 SERIES - 2.00MM PITCH



### Specifications

- Rated Current: 1.5AMP
- Contact Resistance: 20mΩ Max
- Withstand Resistance: 500V AC/DC
- Insulation Resistance: 1000MΩ Min
- Operation Temperature: -40°C to +105°C
- Contact Material: Brass
- Contact Plating : Au Or Sn Over Ni
- Insulator Material : Polyester (UL94V-0)
- Standard : PA6T
- Max. Processing Temp : 230° for 30-60 seconds  
260° for 10 seconds

Recommended P.C.B Layout(Top Side)  
(PCB BOARD TOLERANCE±0.05)



### Ordering Information

**2363D - 3 Y (XX) - A B C (1)**

1 2
3 4
5 6
7

#### 1. Connector Series

#### 2. (H) Hauteur isolant

- H = 63 (Hauteur isolant : 6.35mm)

#### 3. Y-Type

#### 4. Number of pins per row

#### 5. Insulator Material Option

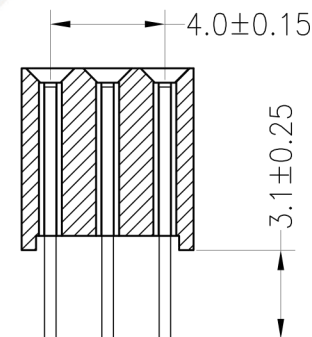
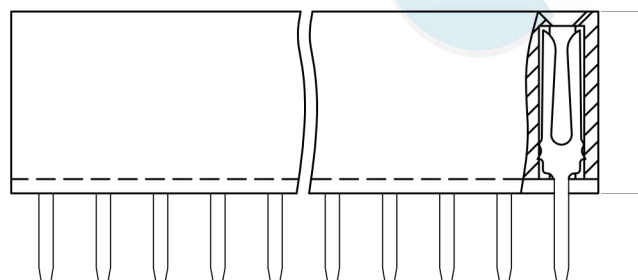
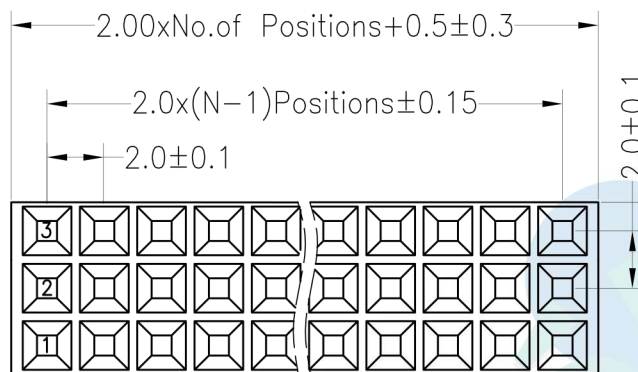
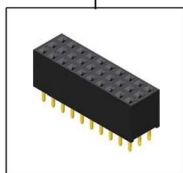
- A = BK-PBT
- B = BK-PA66
- C = BK-PA6T
- D =BK-PA46
- E =BK-LCP

#### 6. Contact Plating

- A = Gold Flash
- B = 3U" Gold
- C = 5U" Gold
- D = 10U" Gold
- E = 15U" Gold
- F= 30U" Gold
- G=Gold Flash/Tin
- H= Tin

#### 7. Post

- W (With Post)
- Ø (No Post)



#### (1). Packaging

Ø=PE Bag 1=Tray 2=Tube

|     |      |                          |        |           |       |         |       |          |          |                            |                                  |  |  |
|-----|------|--------------------------|--------|-----------|-------|---------|-------|----------|----------|----------------------------|----------------------------------|--|--|
|     |      |                          |        | OPERATION |       | DRAW    | BEN   | 12.04.18 | SCALE    | FIT                        | votre partenaire en électronique |  |  |
|     |      |                          |        | X.X       | ±0.30 |         |       |          | UNIT     | mm                         |                                  |  |  |
|     |      |                          |        | X.XX      | ±0.20 | CHECK   | SIZE  | A4       | PART NO. | 2363D - 3YXX - XXX         |                                  |  |  |
|     |      |                          |        | X.XXX     | ±0.10 | APPROVE | SHEET | 1/1      | TITLE:   | 2.00PF H6.35mm 3xNpin 180° |                                  |  |  |
| REV | DATE | MODIFICATION DESCRIPTION | CHANGE | DIM       | TOL   |         |       | PROJ.    |          |                            |                                  |  |  |