

# FEMALE HEADER DIP TRIPLE ROW Y-TYPE

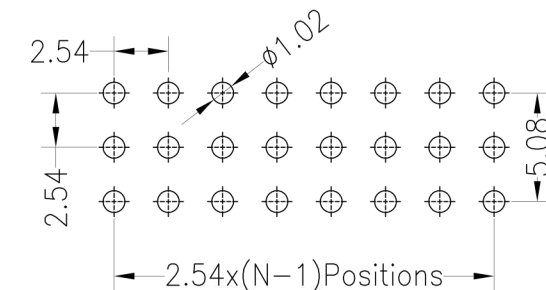
22 SERIES - 2.54MM PITCH



## Specifications

- Rated Current: 3.0AMP
- Contact Resistance: 20mΩ Max
- Withstand Resistance: 1000V AC/DC
- Insulation Resistance: 1000MΩ Min
- Operation Temperature: -40°C to +105°C
- Contact Material: Brass
- Contact Plating : Au Or Sn Over Ni
- Insulator Material : Polyester (UL94V-0)
- Standard : PA6T
- Max. Processing Temp : 230° for 30-60 seconds  
260° for 10 seconds

Recommended P.C.B Layout(Top Side)  
(PCB BOARD TOLERANCE±0.05)



## Ordering Information

**2271D - 3 Y (XX) - A B C (1)**

### 1. Connector Series

### 2. (H) Hauteur isolant

- H = 71 (Hauteur isolant : 7.1mm)

### 3. Y-Type

### 4. Number of pins per row

### 5. Insulator Material Option

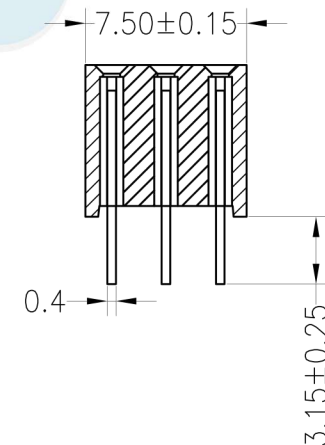
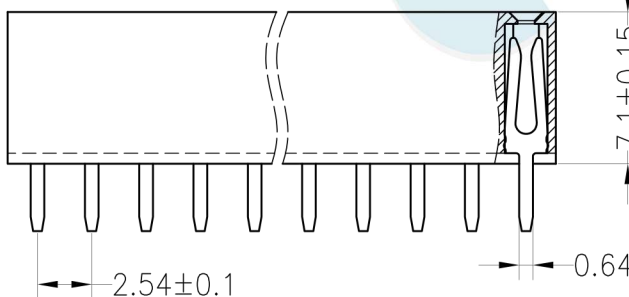
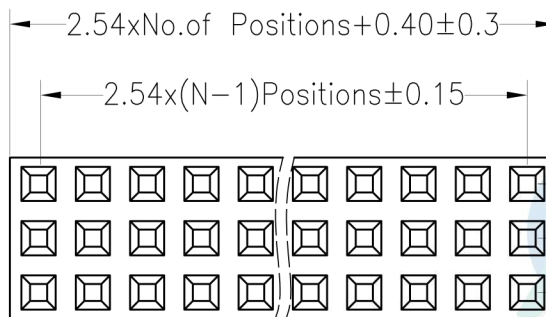
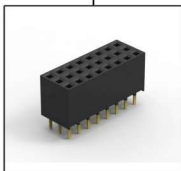
- A = BK-PBT
- B = BK-PA66
- C = BK-PA6T
- D =BK-PA46
- E =BK-LCP

### 6. Contact Plating

- A = Gold Flash
- B = 5U" Gold
- C = 10U" Gold
- D = 15U" Gold
- E = 30U" Gold
- F= Gold Flash/Tin
- G= Tin

### 7. Post

- W (With Post)
- Ø (No Post)



(1). Packaging  
Ø=PE Bag 1=Tray 2=Tube 3=Tube+Cap

				OPERATION		DRAW	BEN	12.04.18	SCALE	FIT	votre partenaire en électronique	
				X.X	±0.30							
				X.XX	±0.20	APPROVE			SIZE	A4	PART NO.	2271D - 3YXX - XXX
				X.XXX	±0.10							
A0	2012.04.18	NEW DRAWING		Angle	±3°	PROJ.			TITLE:		2.54PF H7.1mm 3xNpin 180° DIP	
REV	DATE	MODIFICATION	DESCRIPTION	CHANGE	DIM							TOL

# FEMALE HEADER DIP TRIPLE ROW Y-TYPE

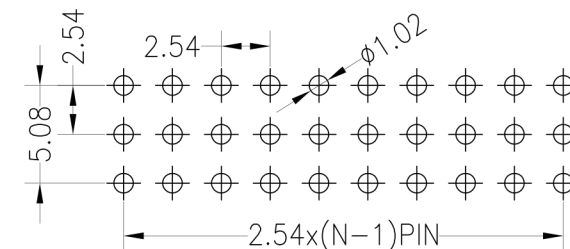
## 22 SERIES - 2.54MM PITCH



### Specifications

- Rated Current: 3.0AMP
- Contact Resistance: 20mΩ Max
- Withstand Resistance: 1000V AC/DC
- Insulation Resistance: 1000MΩ Min
- Operation Temperature: -40°C to +105°C
- Contact Material: Brass
- Contact Plating : Au Or Sn Over Ni
- Insulator Material : Polyester (UL94V-0)
- Standard : PA6T
- Max. Processing Temp : 230° for 30-60 seconds  
260° for 10 seconds

Recommended P.C.B Layout (Top Side)  
(PCB BOARD TOLERANCE ±0.05)



### Ordering Information

**2285D - 3 Y (XX) - A B C (1)**

1 2 3 4 5 6 7

#### 1. Connector Series

#### 2. (H) Hauteur isolant

- H = 85 (Hauteur isolant : 8.5mm)

#### 3. Y-Type

#### 4. Number of pins per row

#### 5. Insulator Material Option

- A = BK-PBT
- B = BK-PA66
- C = BK-PA6T
- D = BK-PA46
- E = BK-LCP

#### 6. Contact Plating

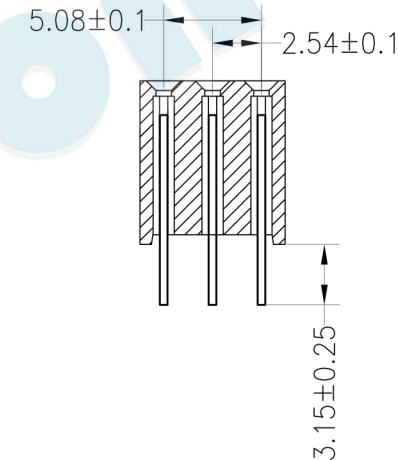
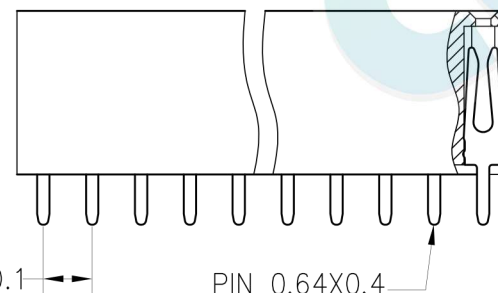
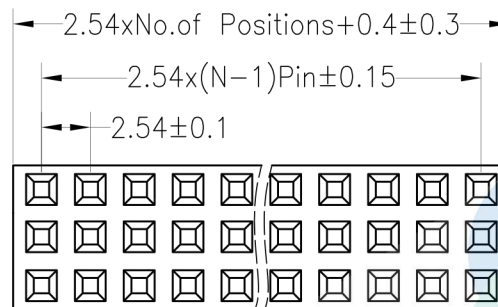
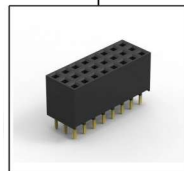
- A = Gold Flash
- B = 5U" Gold
- C = 10U" Gold
- D = 15U" Gold
- E = 30U" Gold
- F = Gold Flash/Tin
- G = Tin

#### 7. Post

- W (With Post)
- Ø (No Post)

#### (1). Packaging

Ø=PE Bag 1=Tray 2=Tube 3=Tube+Cap



				OPERATION		DRAW	BEN	12.04.18	SCALE	FIT	 votre partenaire en électronique		
				X.X	±0.30				UNIT	mm			
				X.XX	±0.20	CHECK		SIZE	A4	PART NO.			2285D - 3YXX - XXX
				X.XXX	±0.10	APPROVE		SHEET	1/1	TITLE:			2.54PF Three Row H8.5mm 180°
REV	DATE	MODIFICATION DESCRIPTION	CHANGE	DIM	TOL			PROJ.					