

# FEMALE HEADER DIP KINKED DUAL ROW Y-TYPE

## 22 SERIES - 2.54MM PITCH



### Specifications

- Rated Current: 3.0AMP
- Contact Resistance: 20mΩ Max
- Withstand Resistance: 1000V AC/DC
- Insulation Resistance: 1000MΩ Min
- Operation Temperature: -40°C to +105°C
- Contact Material: Brass
- Contact Plating : Au Or Sn Over Ni
- Insulator Material : Polyester (UL94V-0)
- Standard : PBT
- Max. Processing Temp : 180° for 30-60 seconds  
200° for 10 seconds

### Ordering Information

**2285DK - 2 Y (XX) - A B C (1)**  
1 2 3 4 5 6 7

#### 1. Connector Series

#### 2. (H) Hauteur isolant

- H = 85 (Hauteur isolant : 8.5mm)

#### 3. Y-Type

#### 4. Number of pins per row

#### 5. Insulator Material Option

- A = BK-PBT
- B = BK-PA66
- C = BK-PA6T
- D = BK-PA46
- E = BK-PA9T
- F = BK-LCP

#### 6. Contact Plating

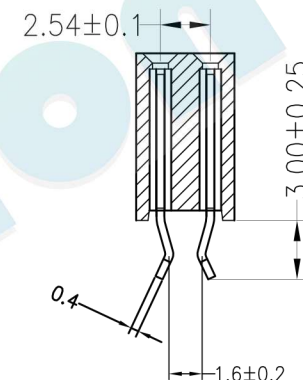
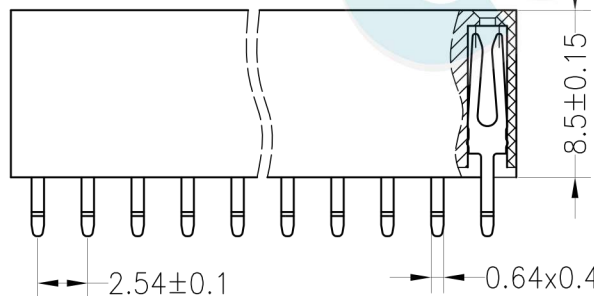
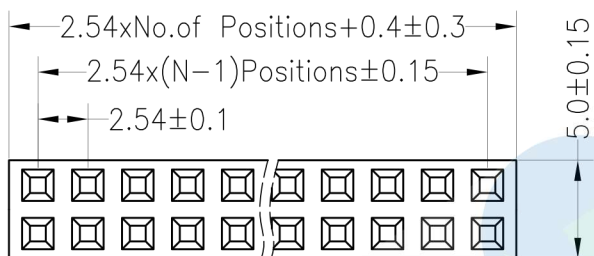
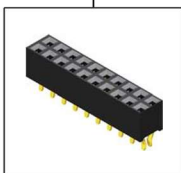
- A = 1U" Gold
- B = 1.5U" Gold
- C = 2U" Gold
- D = 3U" Gold
- E = 5U" Gold
- F = Gold Flash/Tin
- G = Tin

#### 7. Post

- W (With Post)
- Ø (No Post)

#### (1). Packaging

Ø=PE Bag 1=Tray 2=Tube 3=Tube+Cap 4=Reel+Cap 5=Reel+Mylar



		OPERATION		DRAW	BEN	12.04.18	SCALE	FIT
		X.X	±0.30					
		X.XX	±0.20	CHECK			UNIT	mm
		X.XXX	±0.10				SIZE	A4
A0	2012.04.18	NEW DRAWING		APPROVE			SHEET	1/1
REV	DATE	MODIFICATION DESCRIPTION	CHANGE				DIM	TOL



PART NO.	2285DK - 2YXX - XXX
TITLE:	2.54PF H8.5mm 2xNpin