

FEMALE HEADER DIP DUAL ROW

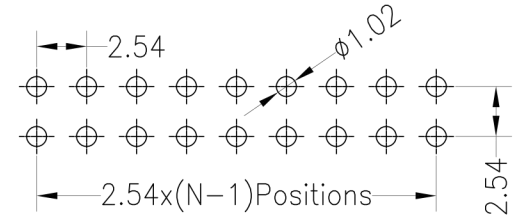
22 SERIES - 2.54MM PITCH



Recommended P.C.B Layout (Top Side)
(PCB BOARD TOLERANCE ±0.05)

Specifications

- Rated Current: 3.0AMP
- Contact Resistance: 20mΩ Max
- Withstand Resistance: 1000V AC/DC
- Insulation Resistance: 1000MΩ Min
- Operation Temperature: -40°C to +105°C
- Contact Material: Brass
- Contact Plating : Au Or Sn Over Ni
- Insulator Material : Polyester (UL94V-0)
- Standard : PBT
- Max. Processing Temp : 180° for 30-60 seconds
200° for 10 seconds



Ordering Information

2211D - 2 Y (XX) - A B C (1) 02*

1 2 3 4 5 6 7

1. Connector Series

2. (H) Hauteur isolant

- H = 11 (Hauteur isolant : 11.0mm)

3. Y-Type

4. Number of pins per row

5. Insulator Material Option

- A = BK-PBT
- B = BK-PA66
- C = BK-PA6T
- D = BK-PA46
- E = BK-LCP

6. Contact Plating

- A = Gold Flash
- B = 1.5U" Gold
- C = 2U" Gold
- D = 3U" Gold
- E = 5U" Gold
- F = Gold Flash/Tin
- G = Tin

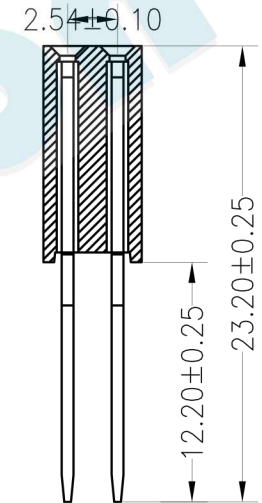
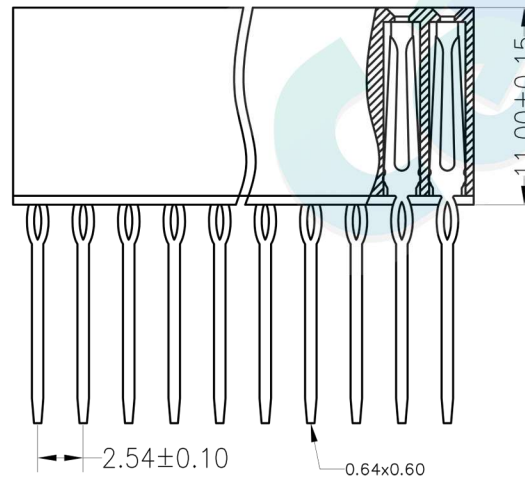
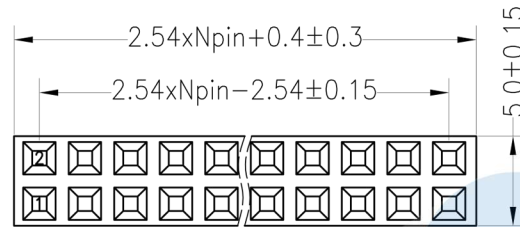
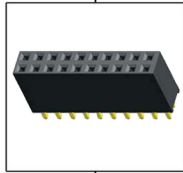
7. Post

- W (With Post)
- Ø (No Post)

(02) = Type 2

(1). Packaging

Ø=PE Bag 1=Tray 2=Tube 3=Pe 4=Tape&Reel 5=Tube&Reel



				OPERATION		DRAW	BEN	12.04.18	SCALE	FIT	 votre partenaire en électronique	
				X.X	±0.30				UNIT	mm		
						CHECK			SIZE	A4	PART NO.	
									SHEET	1/1	2211D - 2YXX - XXX 02	
A0	2012.04.18	NEW DRAWING				APPROVE			PROJ.	◆	TITLE:	
REV	DATE	MODIFICATION DESCRIPTION		CHANGE	DIM				TOL	2.54PF H11.0mm 2xNpin 180° W5.0mm		