

# PIN HEADER SMT DUAL ROW DOUBLE PLASTIC

## 17 SERIES - 0.8MM PITCH



### Specifications

- Rated Current: 0.75AMP
- Contact Resistance: 30mΩ Max
- Withstand Resistance: 500V AC/DC
- Insulation Resistance: 1000MΩ Min
- Operation Temperature: -40°C to +105°C
- Contact Material: Brass
- Contact Plating : Au Over Ni
- Insulator Material : Polyester (UL94V-0)
- Standard : LCP
- Max. Processing Temp : 230° for 30-60 seconds  
260° for 10 seconds

### Ordering Information

**1713S - 22 (XX) - AAA - B C P (1)**

#### 1. Connector Series

#### 2. (H) Hauteur isolant

- H = 13 (Hauteur isolant : 1.38mm)

#### 3. Number of pins per row

#### 4. Pin Length (056=5.60)

#### 5. Insulator Material Option

- A = BK-PBT
- B = BK-PA66
- C = BK-PA6T
- D = BK-PA46
- E = BK-LCP

#### 6. Contact Plating

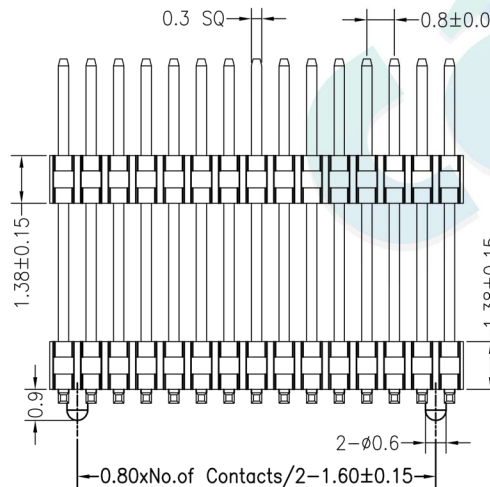
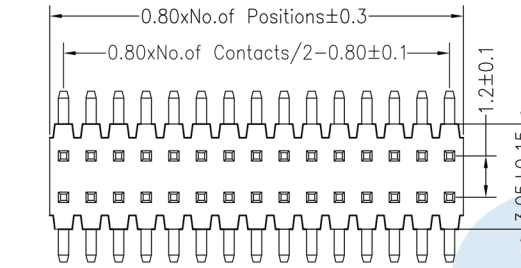
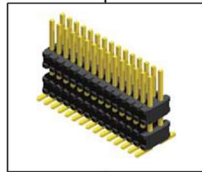
- A = Gold Flash
- B = 5U" Gold
- C = 10U" Gold
- D = 15U" Gold
- E = 30U" Gold
- F = Gold Flash/Tin
- G = Tin

#### 7. Post

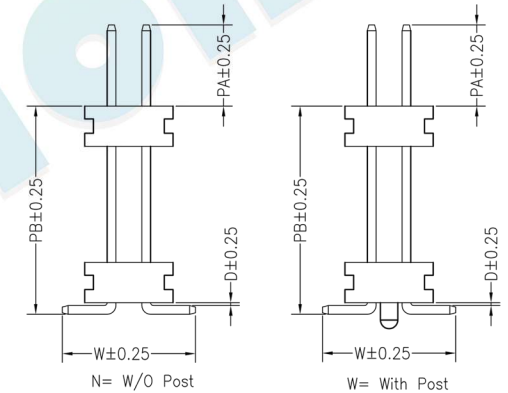
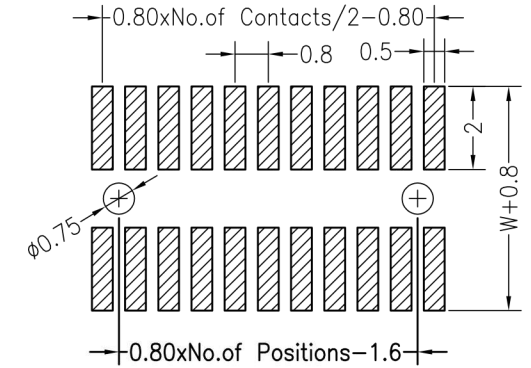
- W (With Post)
- Ø (No Post)

#### (1). Packaging

Ø=PE Bag 1=Tray 2=Tube 3=Tube+Cap 4=Reel+Cap 5=Reel+Mylar



Recommended P.C.B Layout (Top Side)  
(PCB BOARD TOLERANCE ±0.05)



Dimension antitheses list					
ITEM	PA	D	PB	W	L
Standard	2.80	0.1	3.20	4.60	7.40
Alternate					

OPERATION

X.X	±0.30
X.XX	±0.20
X.XXX	±0.10
Angle	±3°
DIM	TOL

DRAW

CHECK

APPROVE

BEN

12.04.11

SCALE

UNIT

SIZE

SHEET

PROJ.

FIT

mm

A4

1/1

PROJ.



PART NO.

TITLE:

1713S - 22XX - XXX - XXX

0.8\*1.2mm Pin Header Dual Row SMT

A0 2012.04.11 NEW DRAWING

REV DATE MODIFICATION DESCRIPTION

CHANGE