

PIN HEADER SMT DUAL ROW

14 SERIES - 1.27MM PITCH



Specifications

- Rated Current: 1.0AMP
- Contact Resistance: 20mΩ Max
- Withstand Resistance: 500V AC/DC
- Insulation Resistance: 1000MΩ Min
- Operation Temperature: -40°C to +105°C
- Contact Material: Brass
- Contact Plating : Au Or Sn Over Ni
- Insulator Material : Polyester (UL94V-0)
- Standard : PA6T
- Max. Processing Temp : 230° for 30-60 seconds
260° for 10 seconds

Ordering Information

1420S - 12 (XX) - AAA - B C P (1)

1 2 3 4 5 6 7

1. Connector Series

2. (H) Hauteur isolant

- H = 20 (Hauteur isolant : 2.00mm)

3. Number of pins per row

4. Pin Length

5. Insulator Material Option

- A = BK-PBT
- B = BK-PA66
- C = BK-PA6T
- D = BK-PA46
- E = BK-LCP

6. Contact Plating

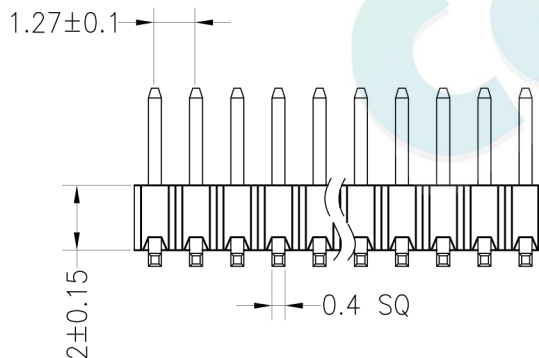
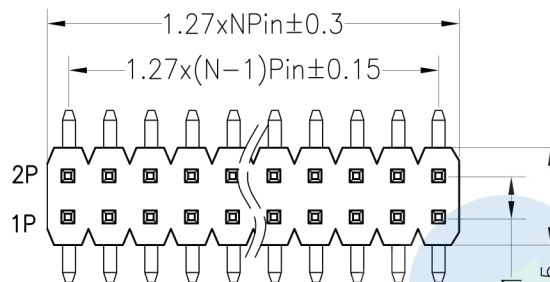
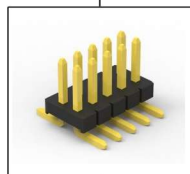
- A = 1U" Gold
- B = 1.5U" Gold
- C = 2U" Gold
- D = 3U" Gold
- E = 5U" Gold
- F = 10U" Gold
- G = 15U" Gold
- H = Gold Flash/Tin
- I = Tin

7. Post

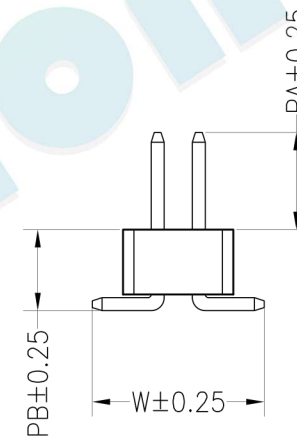
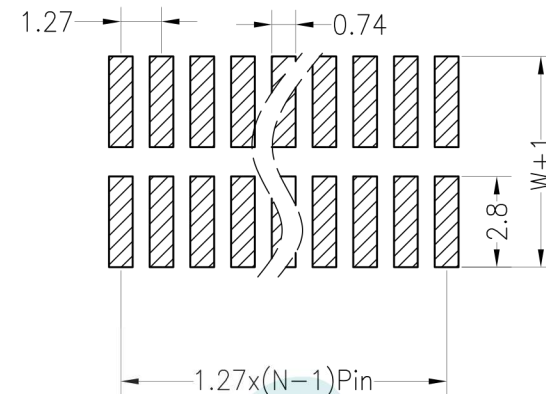
- W (With Post)
- Ø (No Post)

(1). Packaging

Ø = PE Bag 1= Tray 2= Tube 3=Tube+Cap 4=Reel+Cap
5=Reel+Mylar



Recommended P.C.B Layout(Top Side)
(PCB BOARD TOLERANCE±0.05)



Dimension antitheses list

ITEM	PA	PB	W	L
Alternate	4.00	2.50	5.50	8.20

OPERATION	DRAW	YiYuSheng	12.03.28	SCALE	FIT
X.X ±0.30	CHECK			UNIT	mm
X.XX ±0.20				SIZE	A4
X.XXX ±0.10				SHEET	1/1
Angle ±3°	APPROVE			PROJ.	◆
DIM TOL					



PART NO.	1420S - 12XX - XXX - XXX
TITLE:	1.27PH 2xnPin H2.0 SMT

A0	2012.03.28	NEW DRAWING	
REV	DATE	MODIFICATION DESCRIPTION	CHANGE

PIN HEADER SMT DUAL ROW

14 SERIES - 1.27MM PITCH



Specifications

- Rated Current: 1.0AMP
- Contact Resistance: 20mΩ Max
- Withstand Resistance: 500V AC/DC
- Insulation Resistance: 1000MΩ Min
- Operation Temperature: -40°C to +105°C
- Contact Material: Brass
- Contact Plating : Au Or Sn Over Ni
- Insulator Material : Polyester (UL94V-0)
- Standard : PA6T
- Max. Processing Temp : 230° for 30-60 seconds
260° for 10 seconds

Ordering Information

1425S - 12 (XX) - AAA - B C P (1)

1. Connector Series

2. (H) Hauteur isolant

- H = 25 (Hauteur isolant : 2.5mm)

3. Number of pins per row

4. Pin Length

5. Insulator Material Option

- A = BK-PBT
- B = BK-PA66
- C = BK-PA6T
- D = BK-PA46
- E = BK-PA9T
- F = BK-LCP

6. Contact Plating

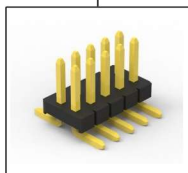
- A = Gold Flash
- B = 3U" Gold
- C = 5U" Gold
- D = 10U" Gold
- E = 15U" Gold
- F = 30U" Gold
- G = Gold Flash/Tin
- H = Tin

7. Post

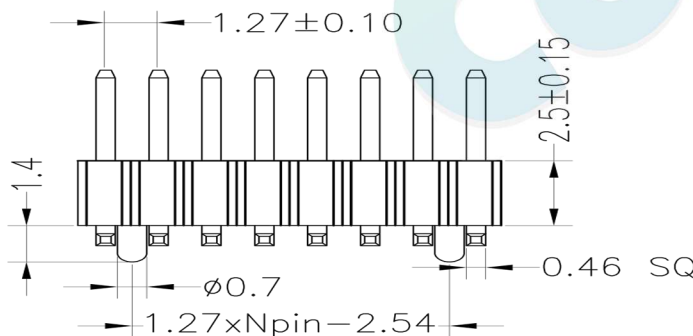
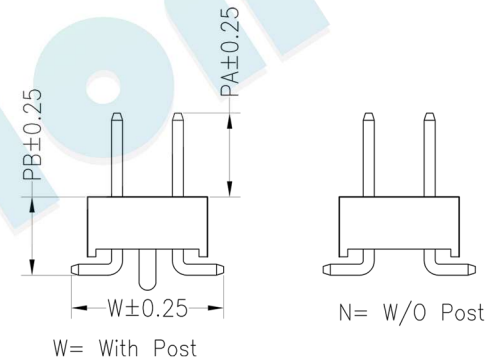
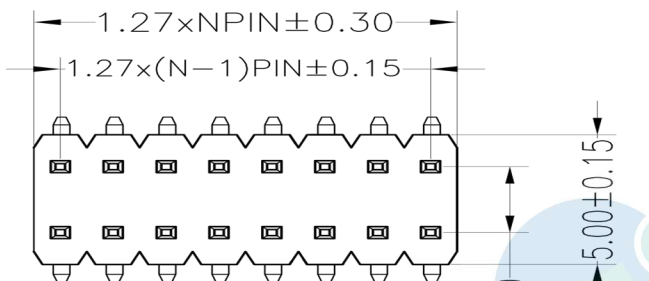
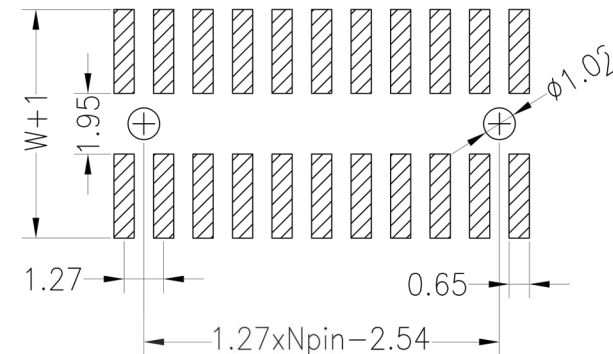
- W (With Post)
- Ø (No Post)

(1). Packaging

Ø = PE Bag 1= Tray 2= Tube 3=Tube+Cap 4=Reel+Cap 5=Reel+Mylar



Recommended P.C.B Layout(Top Side)
(PCB BOARD TOLERANCE±0.05)



Dimension antitheses list				
ITEM	PA	PB	W	L
Standard	6.00	3.00	7.50	11.0
Alternate				

OPERATION

X.X	±0.30
X.XX	±0.20
X.XXX	±0.10
Angle	±3°
DIM	TOL

DRAW

CHECK
APPROVE

YiYuSheng

12.03.28

SCALE

UNIT	mm
SIZE	A4
SHEET	1/1
PROJ.	◆

FIT

--



PART NO.

TITLE:

1425S - 12XX - XXX - XXX

1.27*2.54PH H2.50mm 2xNpin SMT

REV	DATE	MODIFICATION DESCRIPTION	CHANGE
A0	2012.03.28	NEW DRAWING	