

# PIN HEADER SMT DUAL ROW

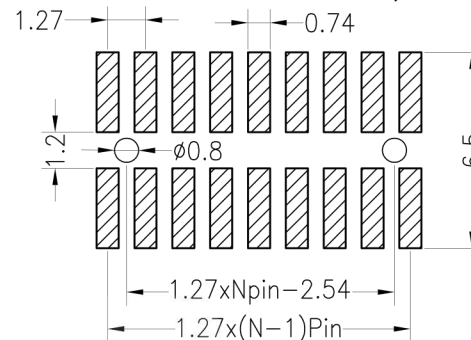
## 14 SERIES - 1.27MM PITCH



### Specifications

- Rated Current: 1.0AMP
- Contact Resistance: 20mΩ Max
- Withstand Resistance: 500V AC/DC
- Insulation Resistance: 1000MΩ Min
- Operation Temperature: -40°C to +105°C
- Contact Material: Brass
- Contact Plating : Au Or Sn Over Ni
- Insulator Material : Polyester (UL94V-0)
- Standard : PA6T
- Max. Processing Temp : 230° for 30-60 seconds  
260° for 10 seconds

Recommended P.C.B Layout(Top Side)  
(PCB BOARD TOLERANCE±0.05)



### Ordering Information

**1410S - 12 (XX) - AAA - B C P (1)**

#### 1. Connector Series

#### 2. (H) Hauteur isolant

- H = 10 (Hauteur isolant : 1.00mm)

#### 3. Number of pins per row

#### 4. Pin Length

#### 5. Insulator Material Option

- A = BK-PBT
- B = BK-PA66
- C = BK-PA6T
- D = BK-PA46
- E = BK-PA9T
- F = BK-LCP

#### 6. Contact Plating

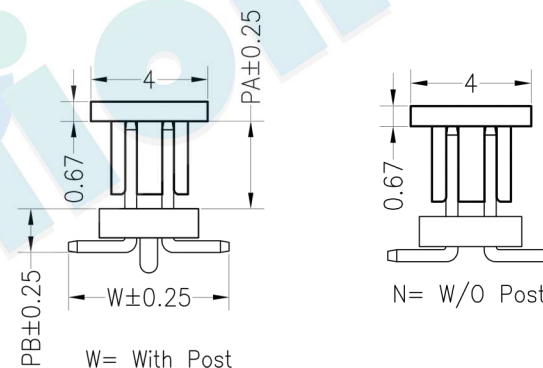
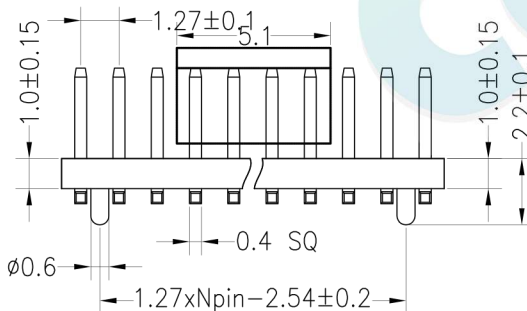
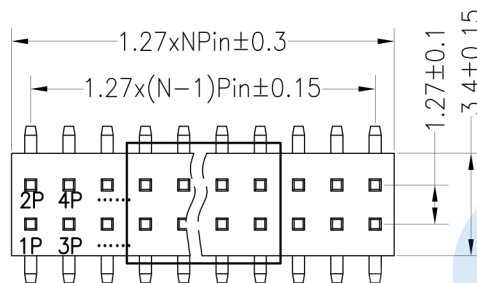
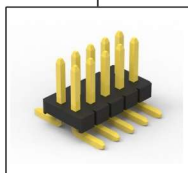
- A = 1U" Gold
- B = 1.5U" Gold
- C = 2U" Gold
- D = 3U" Gold
- E = 5U" Gold
- F = Gold Flash/Tin
- G = Tin

#### 7. Post

- W (With Post)
- Ø (No Post)

#### (1). Packaging

Ø = PE Bag 1= Tray 2= Tube 3=Tube+Cap 4=Reel+Cap  
5=Reel+Mylar



Dimension antitheses list				
ITEM	PA	PB	W	L
Standard	4.00	1.50	5.20	7.20
Alternate				

OPERATION		DRAW	YiYuSheng	12.03.28	SCALE	FIT
X.X	±0.30					
X.XX	±0.20	CHECK			UNIT	mm
X.XXX	±0.10				SIZE	A4
Angle	±3°	APPROVE			SHEET	1/1
DIM	TOL				PROJ.	◆



REV	DATE	MODIFICATION DESCRIPTION	CHANGE
A0	2012.03.28	NEW DRAWING	

PART NO.	TITLE:
1410S - 12XX - XXX - XXX	1.27PH 2xNPin 2+H1.0 SMT