

PIN HEADER SMT SINGLE ROW DOUBLE PLASTIC

13 SERIES. 2.00MM PITCH



Specifications

- Rated Current: 1.5AMP
- Contact Resistance: 20mΩ Max
- Withstand Resistance: 500V AC/DC
- Insulation Resistance: 1000MΩ Min
- Operation Temperature: -40°C to +105°C
- Contact Material: Brass
- Contact Plating : Au Or Sn Over Ni
- Insulator Material : Polyester (UL94V-0)
- Standard : PA6T
- Max. Processing Temp : 230° for 30-60 seconds
260° for 5 seconds

Ordering Information

1315S - 21 (XX) - AAA - B C P (1)

1. Connector Series

2. (H) Hauteur isolant

- H = 15 (Hauteur isolant : 1.5mm)

3. Number of pins per row

4. Pin Length

5. Insulator Material Option

- A = BK-PBT
- B = BK-PA66
- C = BK-PA6T
- D = BK-PA46
- E = BK-LCP

6. Contact Plating

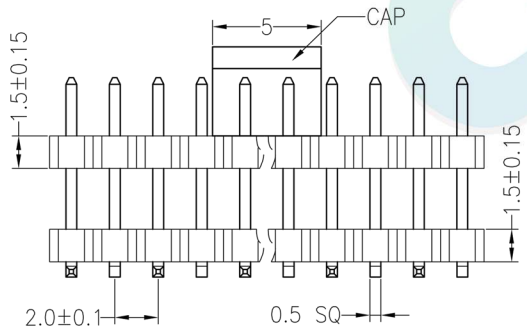
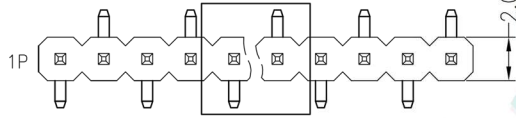
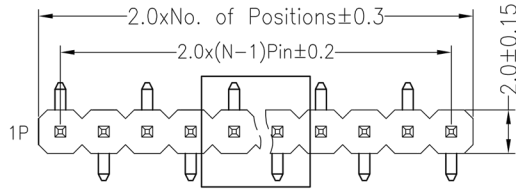
- A = Gold Flash
- B = 3U" Gold
- C = 5U" Gold
- D = 10U" Gold
- E = 15U" Gold
- F = 30U" Gold
- G = Gold Flash/Tin
- H = Tin

7. Post

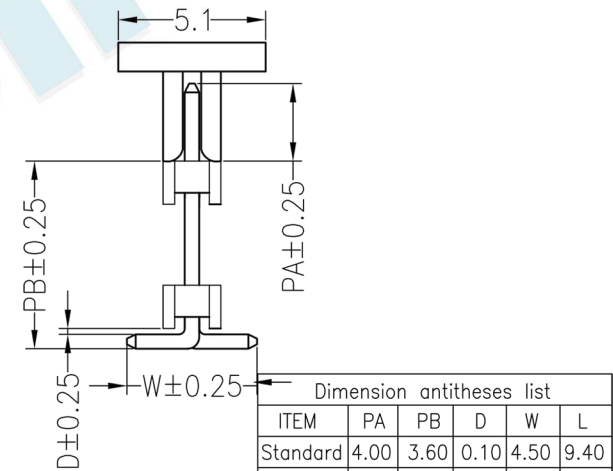
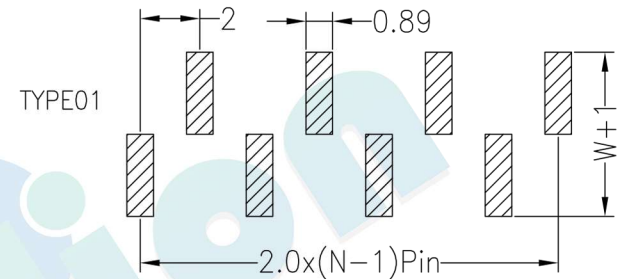
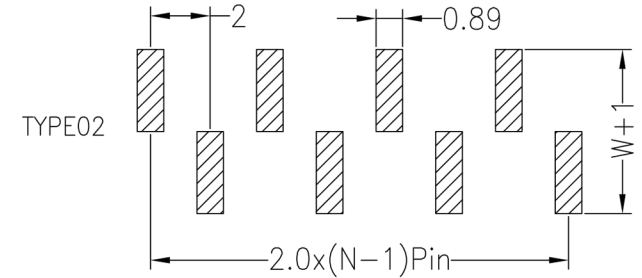
- W (With Post)
- Ø (No Post)

(1). Packaging

Ø = PE Bag 1= Tray 2= Tube+Cap 3= Tube+Cap 4= Reel+Cap



Recommended P.C.B Layout(Top Side)
(PCB BOARD TOLERANCE±0.05)



				OPERATION		DRAW	YiYuSheng	13.03.28	SCALE	FIT	 votre partenaire en électronique	
				X.X	±0.30							
				X.XX	±0.20	CHECK			SIZE	A4	PART NO.	1315S - 21XX - XXX - XXX
				X.XXX	±0.10							
A0	2013.03.28	NEW DRAWING		Angle	±3°	PROJ.						
REV	DATE	MODIFICATION DESCRIPTION		DIM	TOL							

PIN HEADER SMT DUAL ROW DOUBLE PLASTIC

13 SERIES. 2.00MM PITCH



Specifications

- Rated Current: 1.5AMP
- Contact Resistance: 20mΩ Max
- Withstand Resistance: 500V AC/DC
- Insulation Resistance: 1000MΩ Min
- Operation Temperature: -40°C to +105°C
- Contact Material: Brass
- Contact Plating : Au Or Sn Over Ni
- Insulator Material : Polyester (UL94V-0)
- Standard : PA6T
- Max. Processing Temp : 230° for 30-60 seconds
260° for 5 seconds

Ordering Information

1315S - 22 (XX) - AAA - B C P (1)

1. Connector Series

2. (H) Hauteur isolant

- H = 15 (Hauteur isolant : 1.5mm)

3. Number of pins per row

4. Pin Length

5. Insulator Material Option

- A = BK-PBT
- B = BK-PA66
- C = BK-PA6T
- D = BK-PA46
- E = BK-LCP

6. Contact Plating

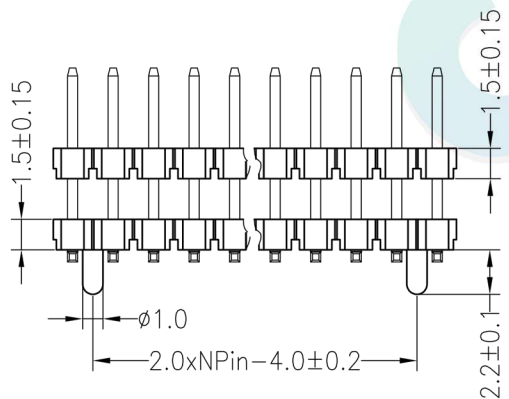
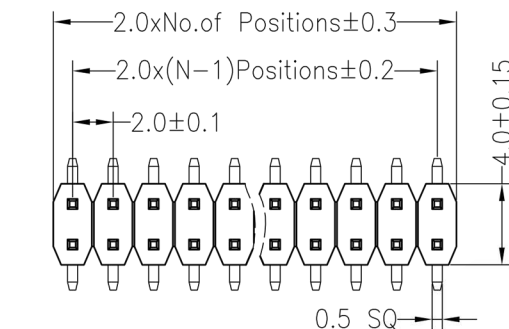
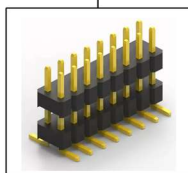
- A = Gold Flash
- B = 3U" Gold
- C = 5U" Gold
- D = 10U" Gold
- E = 15U" Gold
- F = 30U" Gold
- G = Gold Flash/Tin
- H = Tin

7. Post

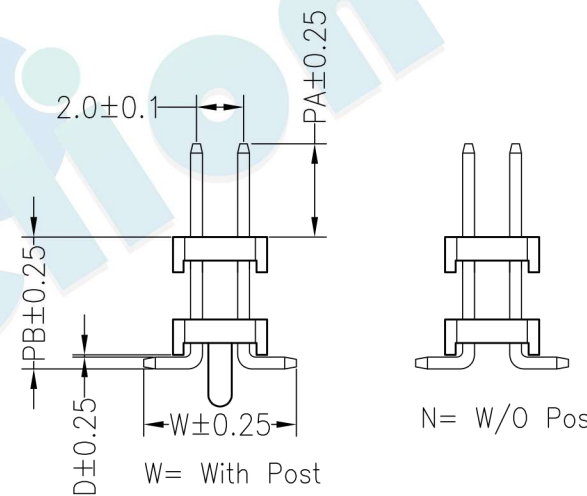
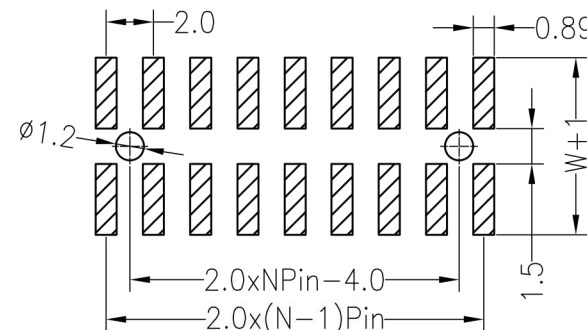
- W (With Post)
- Ø (No Post)

(1). Packaging

Ø = PE Bag 1=Tray 2=Tube 3=Tube+Cap 4= Reel+Cap



Recommended P.C.B Layout(Top Side)
(PCB BOARD TOLERANCE±0.05)



Dimension antitheses list					
ITEM	PA	D	PB	W	L
Standard	4.00	0	3.50	6.50	9.30
Alternate					

OPERATION

DRAW

YiYuSheng

13.03.28

SCALE

FIT

X.X ±0.30

X.XX ±0.20

X.XXX ±0.10

Angle ±3°

DIM TOL

CHECK

APPROVE

5

YiYuSheng

13.03.28

SCALE

FIT

UNIT

SIZE

SHEET

PROJ.

mm

A4

1/1

◆



PART NO.	1315S - 22XX - XXX - XXX
TITLE:	2.0PH 2xNpin H1.5mm Dual Plastic SMT

A0	2013.03.28	NEW DRAWING	
REV	DATE	MODIFICATION DESCRIPTION	CHANGE

PIN HEADER SMT DUAL ROW DOUBLE PLASTIC

13 SERIES. 2.00MM PITCH



Specifications

- Rated Current: 1.5AMP
- Contact Resistance: 20mΩ Max
- Withstand Resistance: 500V AC/DC
- Insulation Resistance: 1000MΩ Min
- Operation Temperature: -40°C to +105°C
- Contact Material: Brass
- Contact Plating : Au Or Sn Over Ni
- Insulator Material : Polyester (UL94V-0)
- Standard : PA6T
- Max. Processing Temp : 230° for 30-60 seconds
260° for 5 seconds

Ordering Information

1320S - 22 (XX) - AAA - B C P (1)

1. Connector Series

2. (H) Hauteur isolant

- H = 20 (Hauteur isolant : 2.0mm)

3. Number of pins per row

4. Pin Length

5. Insulator Material Option

- A = BK-PBT
- B = BK-PA66
- C = BK-PA6T
- D = BK-PA46
- E = BK-PA9T
- F = BK-LCP

6. Contact Plating

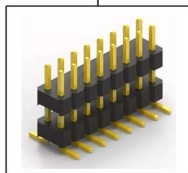
- A = Gold Flash
- B = 1U" Gold
- C = 1.5U" Gold
- D = 2U" Gold
- E = 3U" Gold
- F = Gold Flash/Tin
- G = Tin

7. Post

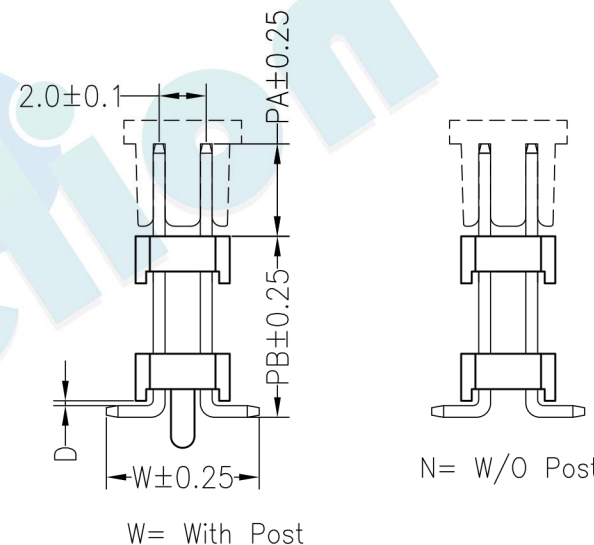
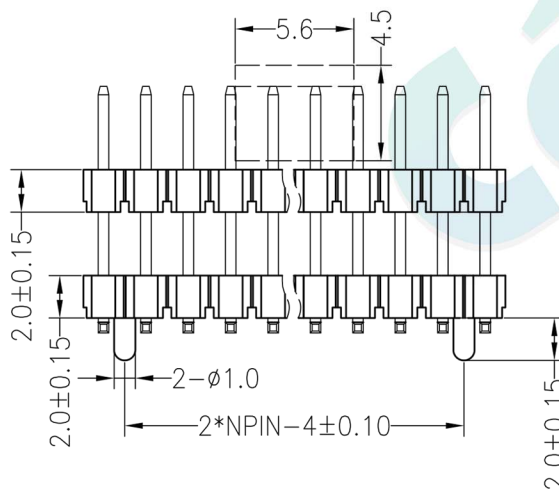
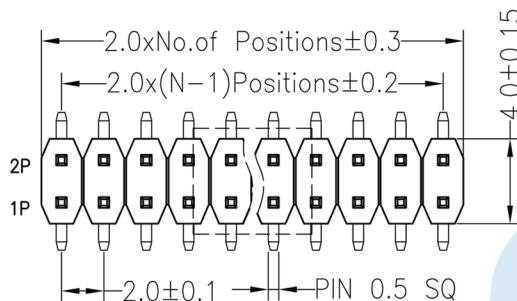
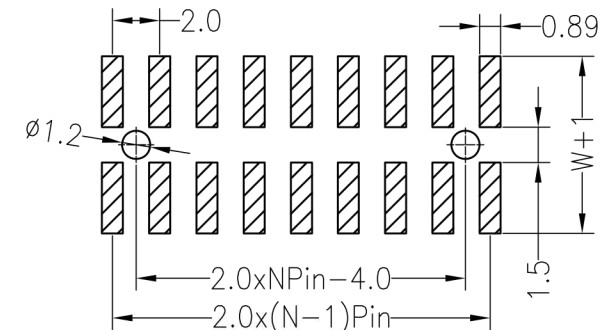
- W (With Post)
- Ø (No Post)

(1). Packaging

Ø = PE Bag 1=Tray 2=Tube 3=Tube+Cap 4= Reel+Cap



Recommended P.C.B Layout(Top Side)
(PCB BOARD TOLERANCE±0.05)



N= W/O Post

Dimension antitheses list					
ITEM	PA	D	PB	W	L
Standard	4.00	0.10		6.50	
Alternate					

OPERATION

X.X	±0.30
X.XX	±0.20
X.XXX	±0.10
Angle	±3°
DIM	TOL

DRAW

YiYuSheng

13.03.28

SCALE

FIT

UNIT

mm

SIZE

A4

SHEET

1/1

PROJ.



CHECK

APPROVE



PART NO.

1320S - 22XX - XXX - XXX

TITLE:

2.0PH 2xNpin H1.5mm Dual Plastic SMT

A0 2013.03.28 NEW DRAWING

REV DATE MODIFICATION DESCRIPTION CHANGE

1 2 3 4 5 6 7 8 9