

PIN HEADER DIP RIGHT ANGLE DUAL ROW

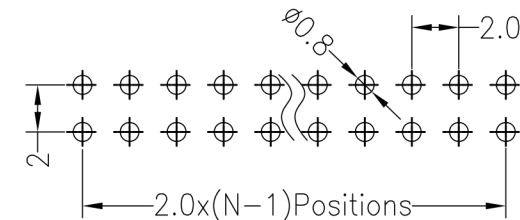
13 SERIES. 2.00MM PITCH



Recommended P.C.B Layout(Top Side)
(PCB BOARD TOLERANCE±0.05)

Specifications

- Rated Current: 1.5AMP
- Contact Resistance: 20mΩ Max
- Withstand Resistance: 500V AC/DC
- Insulation Resistance: 1000MΩ Min
- Operation Temperature: -40°C to +105°C
- Contact Material: Brass
- Contact Plating : Au Or Sn Over Ni
- Insulator Material : Polyester (UL94V-0)
- Standard : PA6T
- Max. Processing Temp : 230° for 30-60 seconds
260° for 5 seconds



Ordering Information

1340DR - 12 (XX) - AAA - B C P (1)

1. Connector Series

2. (H) Hauteur isolant

- H = 40(Hauteur isolant : 4.0mm)

3. Number of pins per row

4. Pin Length

5. Insulator Material Option

- A = BK-PBT
- B = BK-PA66
- C = BK-PA6T
- D = BK-PA46
- E = BK-LCP

6. Contact Plating

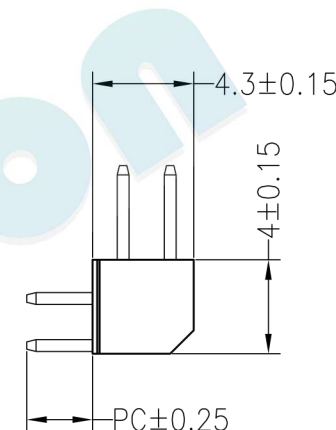
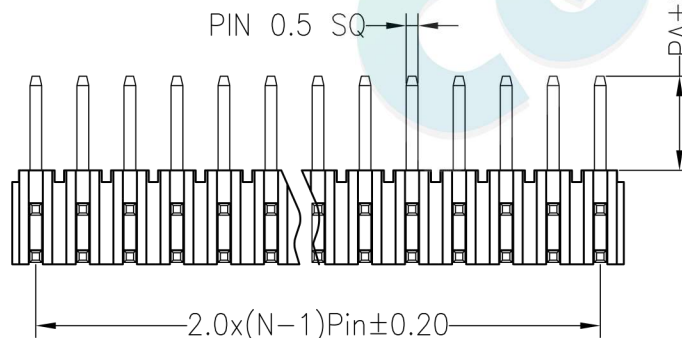
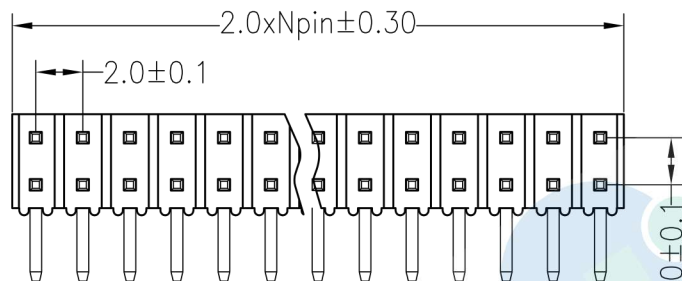
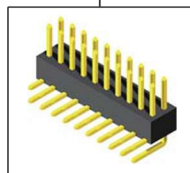
- A = 0.8U" Gold
- B = 1U" Gold
- C = 1.5U" Gold
- D = 2U" Gold
- E = 3U" Gold
- F = 5U" Gold
- G = 10U" Gold
- H = 15U" Gold
- I = Gold Flash/Tin
- J = Tin

7. Post

- W (With Post)
- Ø (No Post)

(1). Packaging

Ø = PE Bag 1= Tray 2=Tube 3=Tube+Cap 4=Reel+Cap
5=Reel+Mylar



Dimension antitheses list				
ITEM	PC	PA	L短	L长
Standard	2.80	4.00	9.50	13.50
Alternate				

OPERATION

X.X	±0.30
X.XX	±0.20
X.XXX	±0.10
Angle	±3°
DIM	TOL

DRAW

YiYuSheng
12.03.28

CHECK

SCALE
FIT

APPROVE

UNIT
mm

PROJ.

SIZE
A4

SHEET

1/1

PART NO.

1340DR - 12XX - XXX - XXX

TITLE:

2.0PH 2xNpin H4.0mm 90°



A0 2012.03.28 NEW DRAWING

REV DATE MODIFICATION DESCRIPTION CHANGE

PART NO. 1340DR - 12XX - XXX - XXX

TITLE: 2.0PH 2xNpin H4.0mm 90°