

PIN HEADER DIP RIGHT ANGLE TRIPLE ROW

13 SERIES 2.00MM PITCH



Specifications

- Rated Current: 1.5AMP
- Contact Resistance: 20mΩ Max
- Withstand Resistance: 500V AC/DC
- Insulation Resistance: 1000MΩ Min
- Operation Temperature: -40°C to +105°C
- Contact Material: Brass
- Contact Plating : Au Or Sn Over Ni
- Insulator Material : Polyester (UL94V-0)
- Standard : PA6T
- Max. Processing Temp : 230° for 30-60 seconds
260° for 5 seconds

Ordering Information

1320DR - 13 (XX) - AAA - B C P (1)

1. Connector Series

2. (H) Hauteur isolant

- H = 20 (Hauteur isolant : 2.0mm)

3. Number of pins per row

4. Pin Length

5. Insulator Material Option

- A = BK-PBT
- B = BK-PA66
- C = BK-PA6T
- D = BK-PA46
- E = BK-LCP

6. Contact Plating

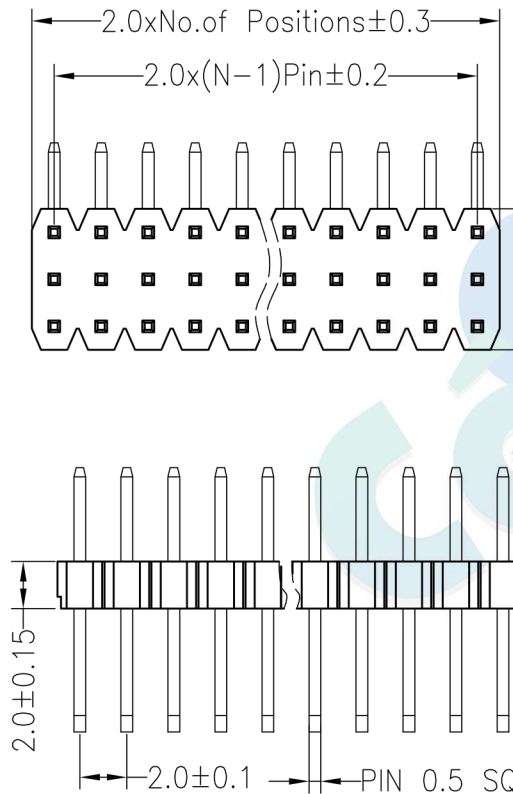
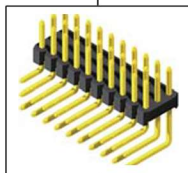
- A = Gold Flash
- B = 5U" Gold
- C = 10U" Gold
- D = 15U" Gold
- E = 30U" Gold
- F=Gold Flash/Tin
- G= Tin

7. Post

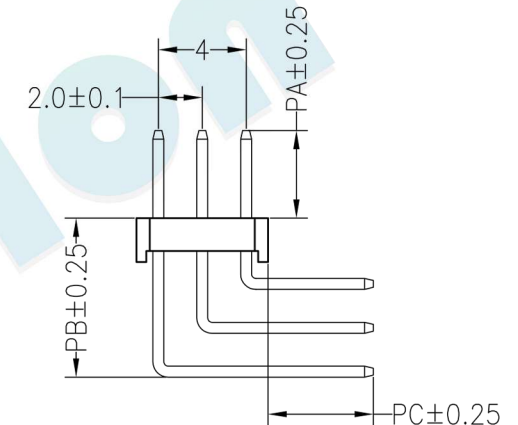
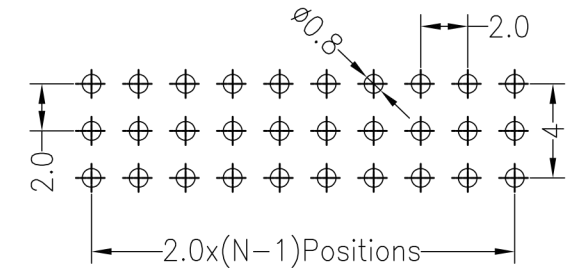
- W (With Post)
- Ø (No Post)

(1). Packaging

Ø = PE Bag 1= Tray 2=Tube 3=Tube+Cap 4=Reel+Cap



Recommended P.C.B Layout (Top Side)
(PCB BOARD TOLERANCE ±0.05)



Dimension antitheses list				
ITEM	PA	PB	PC	L
Standard	4.00	7.40	2.80	10.50
Alternate				

OPERATION		DRAW	YiYuSheng	12.03.28	SCALE	FIT
X.X	±0.30					
X.XX	±0.20	CHECK			SIZE	A4
X.XXX	±0.10					
Angle	±3°	APPROVE			SHEET	1/1
DIM	TOL					
					PROJ.	◆



REV	DATE	MODIFICATION DESCRIPTION	CHANGE
A0	2012.03.28	NEW DRAWING	

PART NO.	1320DR - 13XX - XXX - XXX
TITLE:	2.0PH 3xNpin H2.0mm 90°