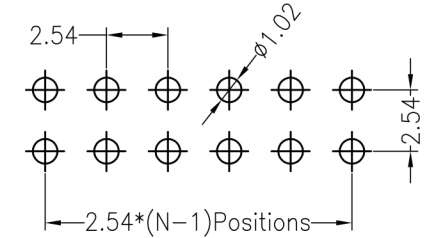


PIN HEADER DIP RIGHT ANGLE DUAL ROW

12 SERIES. 2.54MM PITCH



Recommended P.C.B Layout(Top Side)
(PCB BOARD TOLERANCE±0.05)



Specifications

- Rated Current: 3.0AMP
- Contact Resistance: 20mΩ Max
- Withstand Resistance: 1000V AC/DC
- Insulation Resistance: 1000MΩ Min
- Operation Temperature: -40°C to +105°C
- Contact Material: Brass
- Contact Plating : Au Or Sn Over Ni
- Insulator Material : Polyester (UL94V-0)
- Standard : PA6T
- Max. Processing Temp : 230° for 30-60 seconds
260° for 5 seconds

Ordering Information

1274DR - 12(XX) - AAA - B C P (1)

1. Connector Series

2. (H) Hauteur isolant

- H = 74(Hauteur isolant : 7.4mm)

3. Number of pins per row

4. Pin Length

5. Insulator Material Option

- A = BK-PBT
- B = BK-PA66
- C = BK-PA6T
- D = BK-PA46
- E = BK-LCP

6. Contact Plating

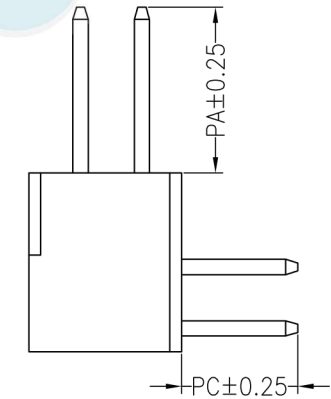
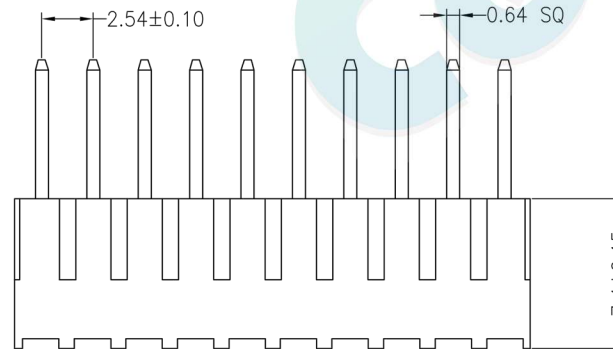
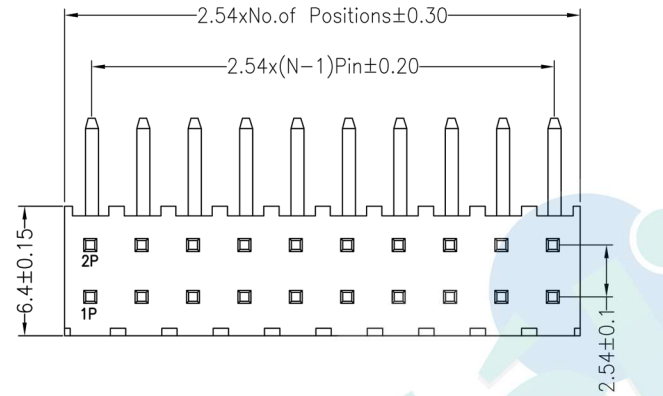
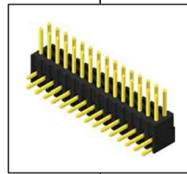
- A = Gold Flash
- B = 5U" Gold
- C = 10U" Gold
- D = 15U" Gold
- E = 30U" Gold
- F = Gold Flash/Tin
- G = Tin

7. Post

- W (With Post)
- Ø (No Post)

(1). Packaging

Ø = PE Bag 1= Tray 2= Tube 3= Tube+Cap 4= Reel+Cap



Dimension antitheses list			
ITEM	PA	PC	L
Standard	6.00	3.00	14.7/19.7
Alternate			

OPERATION

X.X	±0.30
X.XX	±0.20
X.XXX	±0.10
Angle	±3°
DIM	TOL

DRAW

YiYuSheng

12.11.11

SCALE

FIT

UNIT

mm

SIZE

A4

SHEET

1/1

PROJ.



PART NO.

1274D - 12XX - XXX - XXX (1)

TITLE:

2.54PH 2xNpin H7.40mm 90°

REV	DATE	MODIFICATION DESCRIPTION	CHANGE
A0	2012.11.11	NEW DRAWING	