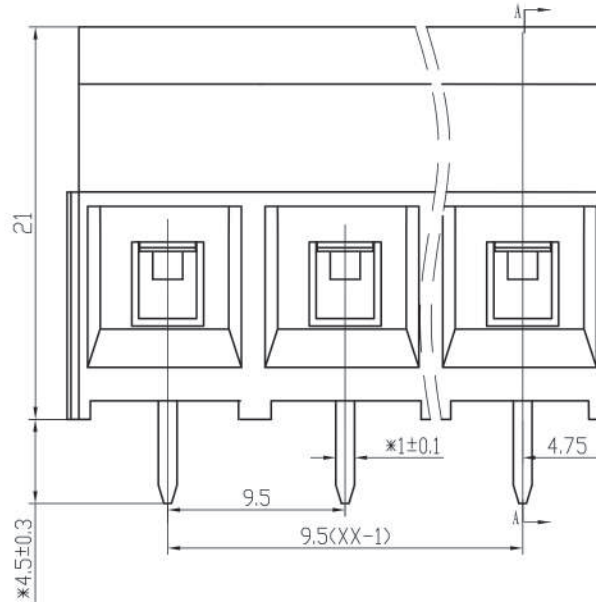


SECTION A-A



Approvals



30A-300V

not approved

Electrical

Rated voltage 450V
 Rated current 32A
 Contact resistance 20mΩ
 Insulation resistance 500MQ/DC500V
 Withstanding voltage AC2000V/1 min
 Wire range 26-10AWG - 4 mm²

Torque 0,5Nm(4.43 Lb.In)
 Temp. Range -40°C + 105°C
 Stripping length 6mm
 Max sold. time +250°C for 5sec

Dimensions

Pitch 9,5 mm
 Poles 2÷24

Material

Housing PA66UL94V0
 Pin Copper alloy, tin plated
 Cage Copper alloy, Ni plated
 Screws M3, Steel Zn plated
 Side Block
 Nut screw
 Clamp

General description of ordering code

Series	n. Poles	Pitch	Version	Color	Custom
MRS94	2÷24	-9.5	-V		

Version Date

01/17 11/04/17