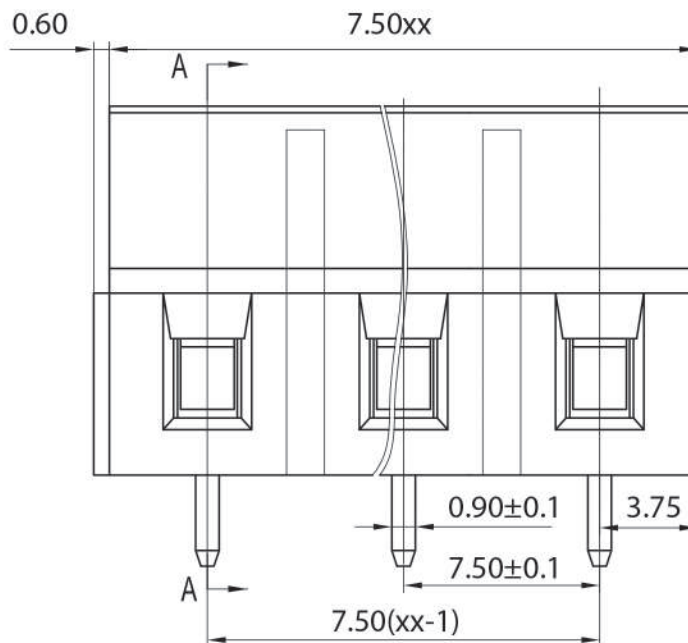
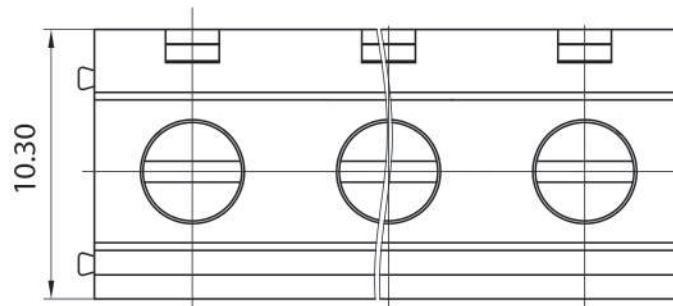
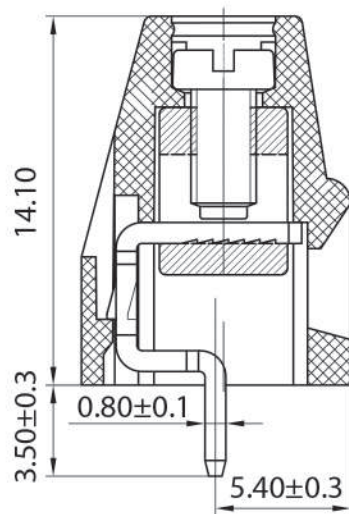


p.c.b. layout



Approvals



10A - 300V
20A - 450V

Electrical

Rated voltage 450V
Rated current 20A
Contact resistance 20Ω
Insulation resistance 500MΩ/DC500V
Withstanding voltage AC2000V/1 min
Wire range 2,5mm² 22÷12 AWG

Torque 0,4Nm (3,6 Lb in)
Temp. Range -40°C + 105°C
Stripping length 6 mm
Max sold. time +250°C for 5 sec.

Dimensions

Pitch 7,5 mm
Poles 2÷24

Material

Housing PA66 UL94V0
Pin Brass, tin plated
Cage Brass, tin plated
Screws M2.5, Steel, Zn plated
Side Block ---
Nut screw ---
Clamp ---

General description of ordering code

Series	n. Poles	Pitch	Version	Color	Custom
MRS52	2÷24	-7.5	-V		

Version Date

2020/01 13/11/2020