

Approvals



16A-300V

Electrical

Rated voltage	250V
Rated current	20A
Contact resistance	20mΩ
Insulation resistance	500MΩ/DC500V
Withstanding voltage	AC2000V/1min
Wire range	22-12 AWG 2,5mm ²

Torque	0,4Nm (3.6Lb in)
Temp. Range	-40°C +105°C
Stripping length	6 mm
Max sold. time	+250°C for 5 sec.

Dimensions

Pitch	5 mm
Poles	2÷24

Material

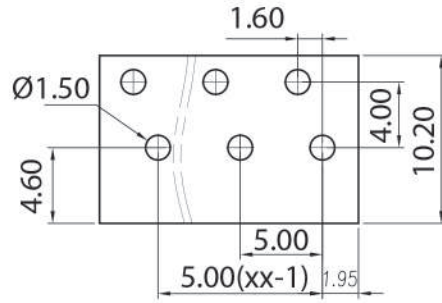
Housing	PA66 UL94V0
Pin	Copper Alloy, Sn plated
Cage	Copper Alloy, Ni plated
Screws	M2,5 steel, Zn plated
Side Block	
Nut screw	
Clamp	

General description of ordering code

Series	n. Poles	Pitch	Version	Color	Custom
MRS52	2÷24	-5	-D		

Version Date

2020/01 21/04/2020



p.c.b. layout

