

Approvals



15A - 300V
not approved

Electrical

Rated voltage 450V
Rated current 15A
Contact resistance 20mΩ
Insulation resistance 500MΩ/DC500V
Withstanding voltage AC2000V/1min
Wire range 26-14 AWG 1,5mm²

Torque
Temp. Range -40°C +105°C
Stripping length 5 mm
Max sold. time +250°C for 5 sec.

Dimensions

Pitch 7,5 mm
Poles 2÷24

Material

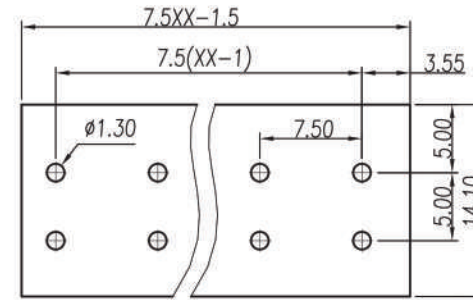
Housing PA66 UL94V0
Pin Copper Alloy, Sn plated
Cage
Screws
Side Block
Nut screw
Clamp Stainless Steel

General description of ordering code

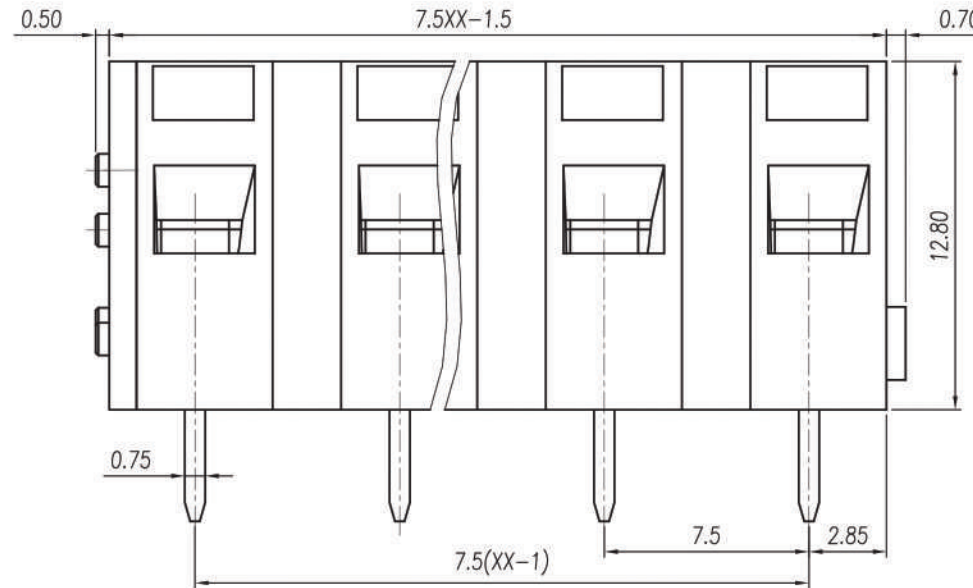
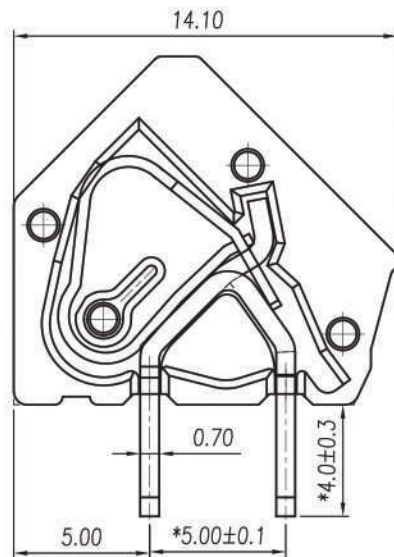
Series	n. Poles	Pitch	Version	Color	Custom
MRM6	2÷24	-7.5	-V		

Version Date

19/01 01/03/19



P.C.B. LAYOUT



variable range	to 6	over 6 to 10	over 10 to 30	over 30 to 60	over 60 to 100	over 100 to 160	over 160 to	to 10	over 10 to 100	over 100 to
tolerance	±0.20	±0.30	±0.50	±0.70	±1.00	±1.30	±1.60	0.10	0.30	0.60