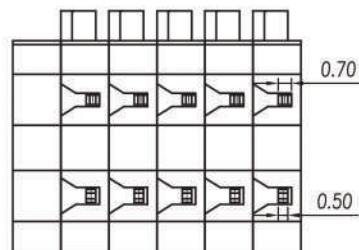
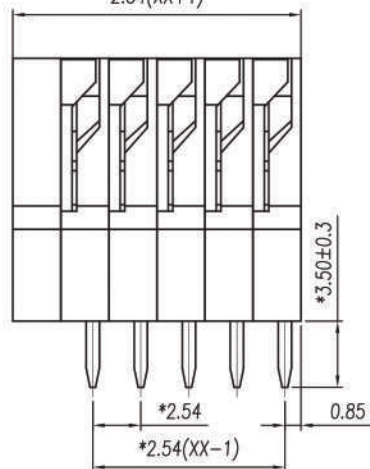
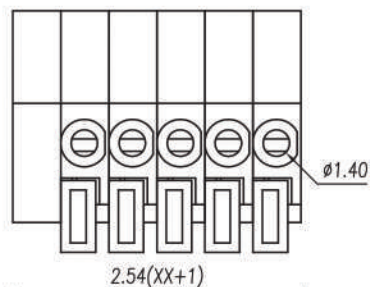
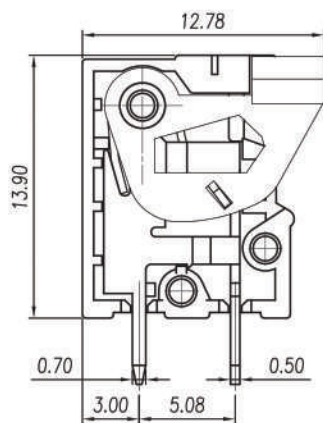


P.C.B. LAYOUT



Approvals



4A-150V
not approved

Electrical

Rated voltage 130V
Rated current 6A
Contact resistance 20mΩ
Insulation resistance 500MΩ/DC500V
Withstanding voltage AC1300V/1 min
Wire range 26-20 AWG 0,5mm²

Torque
Temp. Range -40°C+105°C
Stripping lenght 11mm
Max sold. time +250°C for 5 sec

Dimensions

Pitch 2,54 mm
Poles 1÷xx

Material

Housing PA66 UL94V0
Pin Copper Alloy, tin plated
Cage Stainless Steel
Screws
Side Block
Nut screw
Clamp

General description of ordering code

Series	n. Poles	Pitch	Version	Color	Custom
MRM2	1÷xx	-2.54	-V		

Version Date

01/17 17/10/17