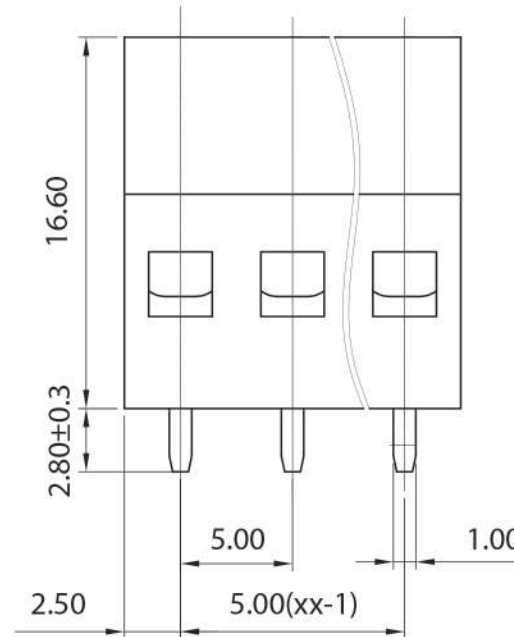
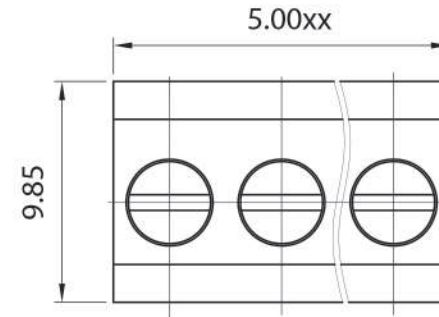
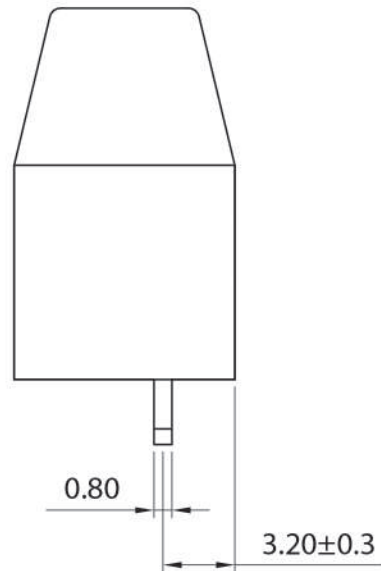


p.c.b. layout



Approvals



10A - 300V

not approved

Electrical

| | |
|-----------------------|------------------|
| Rated voltage | 250V |
| Rated current | 24A |
| Contact resistance | 20mΩ |
| Insulation resistance | 500MΩ/DC500V |
| Impulse voltage | 2KV |
| Wire range | 2,5mm2 22÷14 AWG |

| | |
|------------------|-------------------|
| Torque | 0,5Nm (4.5Lb In) |
| Temp. Range | -40°C + 105°C |
| Stripping lenght | 5 mm |
| Max sold. time | +250°C for 5 sec. |

Dimensions

| | |
|-------|------|
| Pitch | 5 mm |
| Poles | 2÷24 |

Material

| | |
|------------|-------------------------|
| Housing | PA66 UL94V0 |
| Pin | Copper Alloy, Sn plated |
| Cage | Copper Alloy, Ni plated |
| Screws | M3;Steel Zn plated |
| Side Block | --- |
| Nut screw | --- |
| Clamp | --- |

General description of ordering code

| Series | n. Poles | Pitch | Version | Color | Custom |
|--------|----------|-------|---------|-------|--------|
| MRK52 | 2÷24 | -5 | -V | | |

Version Date

2020/01

06/04/2020