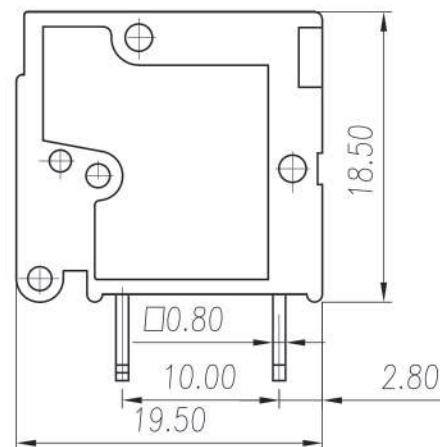
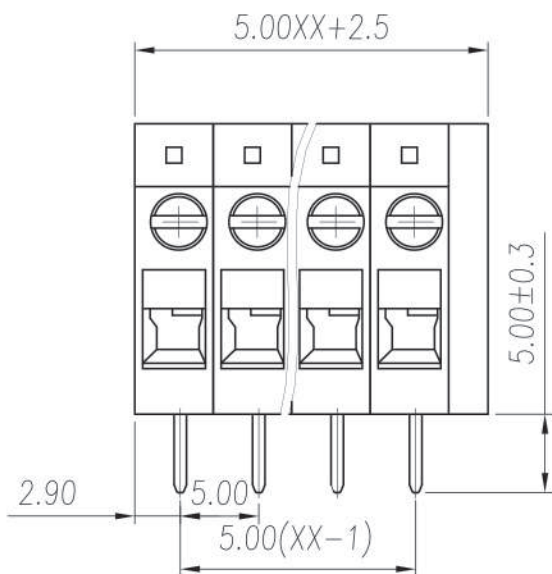


p.c.b. layout



Approvals



20A-300V

Electrical

Rated voltage	250V
Rated current	24A
Contact resistance	20mΩ
Insulation resistance	500MΩ/DC500V
Withstanding voltage	AC1600V/1min
Wire range	26-12 AWG 2,5mm ²

Torque	0,4Nm (3.6Lb in)
Temp. Range	-40°C +105°C
Stripping length	9 mm
Max sold. time	+250°C for 5 sec

Dimensions

Pitch	5 mm
Poles	2÷24

Material

Housing	PA66 UL94V0
Pin	Copper Alloy, Sn plated
Cage	Copper Alloy, Sn plated
Screws	M2,5 steel, Zn plated
Side Block	
Nut screw	
Clamp	

General description of ordering code

Series	n. Poles	Pitch	Version	Color	Custom
MRF52	2÷24	-5	-H1		

Version Date

2020/01 20/03/2020