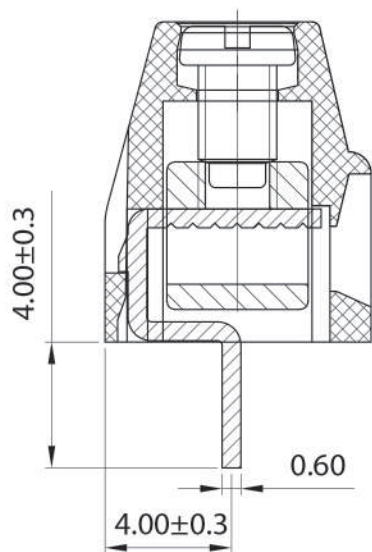
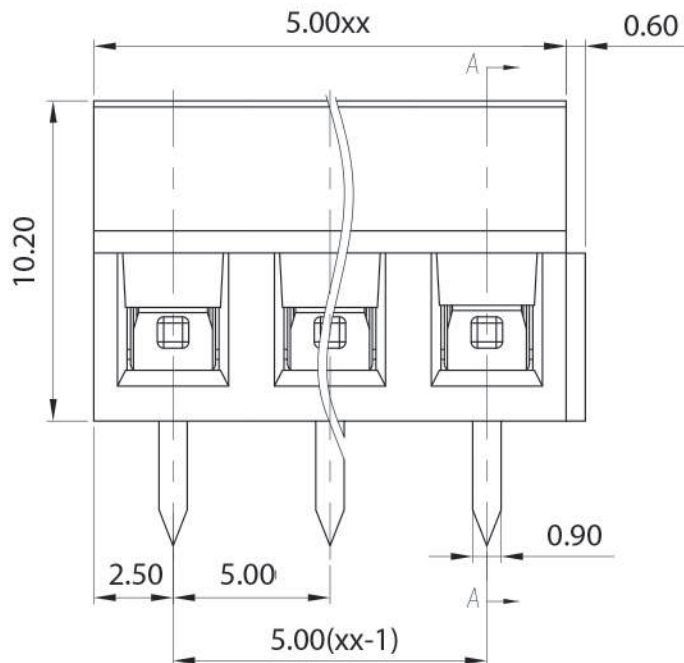
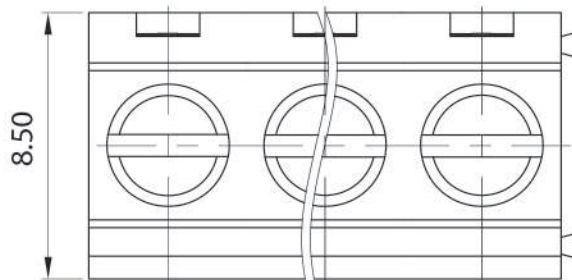


p.c.b. layout



section: A-A



**Approvals**



8A-300V  
17,5A-250V

**Electrical**

Rated voltage	250V
Rated current	17,5A
Contact resistance	20mΩ
Insulation resistance	500MΩ/DC500V
Impulse voltage	4KV
Wire range	1,5mm2 22÷16 AWG
Torque	0,4Nm (3.6Lb In)
Temp. Range	-40°C + 105°C
Stripping lenght	7 mm
Max sold. time	+250°C for 5 sec.

**Dimensions**

Pitch	5 mm
Poles	2÷24

**Material**

Housing	PA66 UL94V0
Pin	Copper Alloy, Sn plated
Cage	Copper Alloy, Ni plated
Screws	M2,5; Steel Zn plated
Side Block	---
Nut screw	---
Clamp	---

**General description of ordering code**

Series	n. Poles	Pitch	Version	Color	Custom
MRB51	2÷24	-5	-V		

**Version Date**

2020/01 07/04/2020



UNITS: mm

SHEET SIZE: ISO A4

SCALE: 4:1

> 0 ~ 3  
± 0.12

> 3 ~ 18  
± 0.15

> 18 ~ 50  
± 0.3

> 50 ~ 120  
± 0.5



**MRB51-5-V**