

### Approvals



15A-300V

13,5A-160V

### Electrical

Rated voltage	250V
Rated current	15A
Contact resistance	20mΩ
Insulation resistance	500MΩ/DC500V
Withstanding voltage	AC 2000V/1 min
Wire range	28÷16 AWG 1 mm <sup>2</sup>

Torque	0,2Nm(1.8Lb in)
Temp. Range	-40°C+105°C
Stripping lenght	6mm
Max sold. time	+250°C for 5 sec.

### Dimensions

Pitch	3,81 mm
Poles	2÷24

### Material

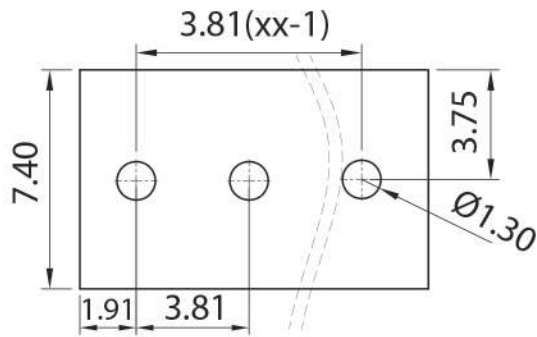
Housing	PA66 UL94V0
Pin	Copper Alloy, tin plated
Cage	Copper Alloy, NI plated
Screws	M2, Steel Zn plated
Side Block	
Nut screw	
Clamp	

### General description of ordering code

Series	n. Poles	Pitch	Version	Color	Custom
MRB31	2÷24	-3.81	-V		

### Version Date

2020/01 30/04/2020



p.c.b. layout

