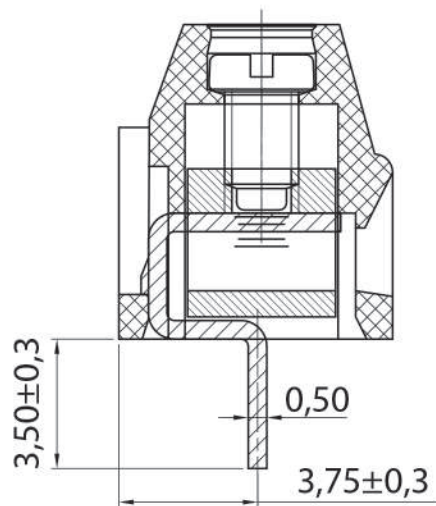
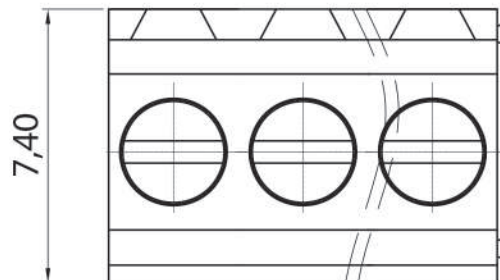
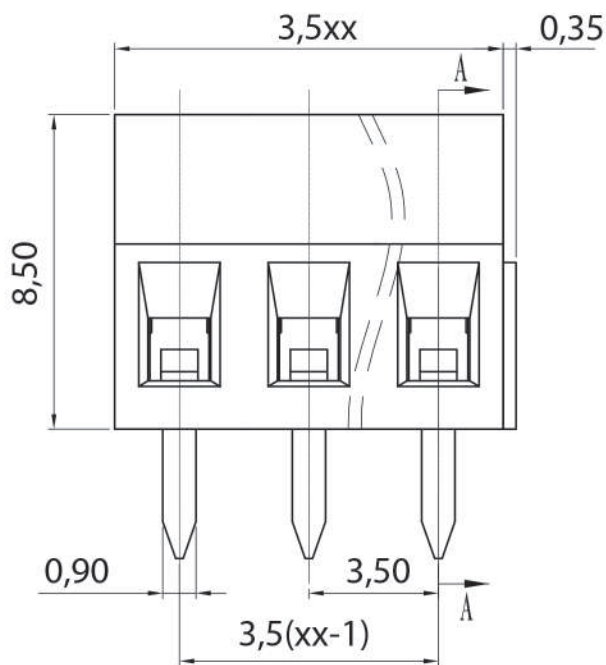


p.c.b. layout



section: A-A



**Approvals**



15A-300V  
13,5A-160V

**Electrical**

Rated voltage 250V  
Rated current 15A  
Contact resistance 20mΩ  
Insulation resistance 500MΩ/DC500V  
Withstanding voltage AC 2000V/1 min  
Wire range 28÷16 AWG 1 mm2

Torque 0,2Nm(1.8Lb in)  
Temp. Range -40°C+105°C  
Stripping lenght 6mm  
Max sold. time +250°C for 5 sec.

**Dimensions**

Pitch 3,5mm  
Poles 2÷24

**Material**

Housing PA66 UL94V0  
Pin Copper Alloy, tin plated  
Cage Copper Alloy, NI plated  
Screws M2, Steel Zn plated  
Side Block  
Nut screw  
Clamp

**General description of ordering code**

Series	n. Poles	Pitch	Version	Color	Custom
MRB31	2÷24	-3.5	-V		

Version	Date
19/01	27/08/19



UNITS: mm

SHEET SIZE: ISO A4

SCALE: 10:1

> 0 ~ 3  
± 0.12

> 3 ~ 18  
± 0.15

> 18 ~ 50  
± 0.3

> 50 ~ 120  
± 0.5



**MRB31-3.5-V**