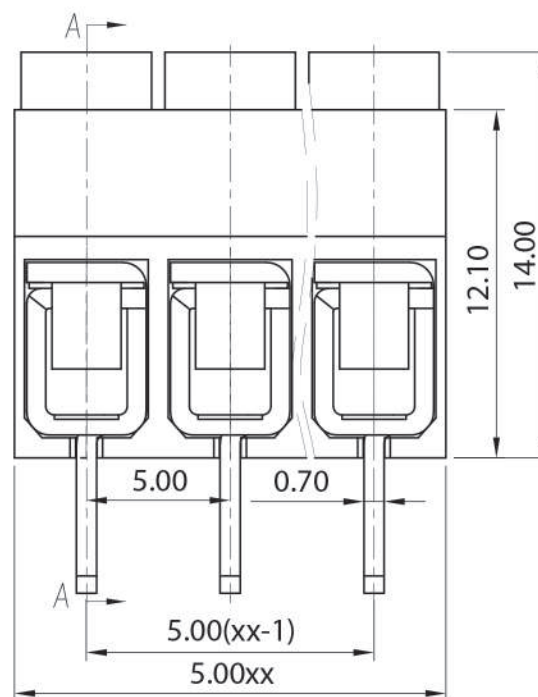
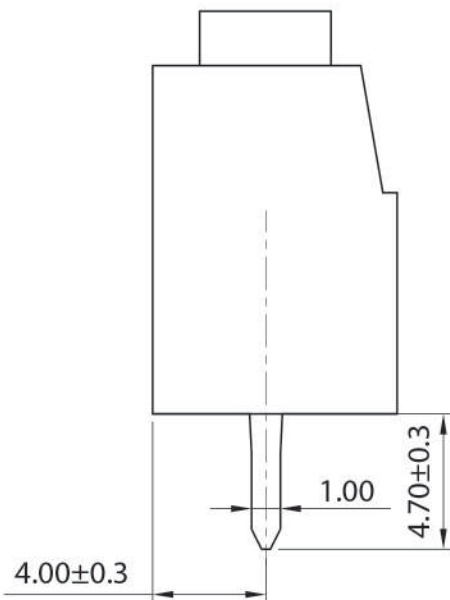
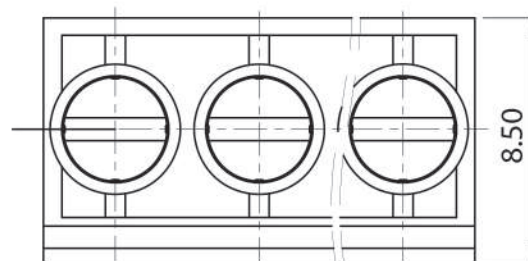


p.c.b. layout



Approvals



not approved
not approved

Electrical

Rated voltage 250V
Rated current 18A
Contact resistance 20mΩ
Insulation resistance 500MΩ/DC500V
Impulse voltage 1.6KV
Wire range 2,5mm² 26÷14 AWG

Torque 0,4Nm (3.6Lb In)
Temp. Range -40°C + 105°C
Stripping lenght 6 mm
Max sold. time +250°C for 5 sec.

Dimensions

Pitch 5 mm
Poles 2÷24

Material

Housing PA66 UL94V0
Pin Copper Alloy, Sn plated
Cage Copper Alloy, Ni plated
Screws M2.5; Steel Zn plated
Side Block ---
Nut screw ---
Clamp ---

General description of ordering code

Series	n. Poles	Pitch	Version	Color	Custom
MMR52	2÷24	-5	-V		

Version Date

2020/01 28/04/2020