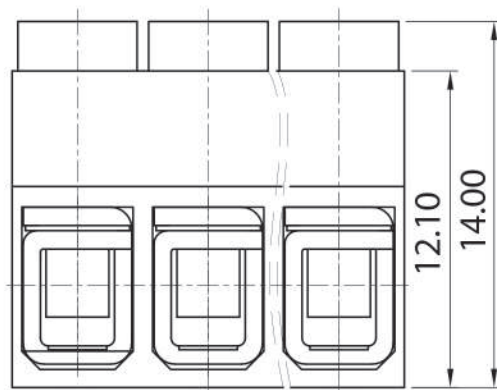
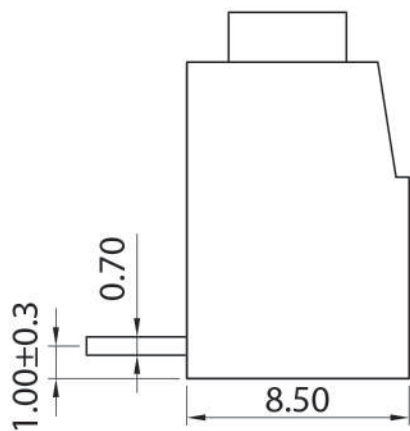
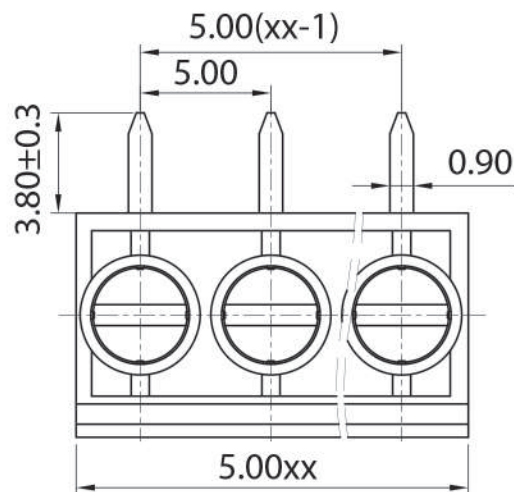


p.c.b. layout



Approvals



not approved
not approved

Electrical

Rated voltage 250V
 Rated current 18A
 Contact resistance 20mΩ
 Insulation resistance 500MΩ/DC500V
 Impulse voltage 1.6KV
 Wire range 2,5mm2 26÷14 AWG

Torque 0,4Nm (3.6Lb In)
 Temp. Range -40°C + 105°C
 Stripping lenght 6 mm
 Max sold. time +250°C for 5 sec.

Dimensions

Pitch 5 mm
 Poles 2÷24

Material

Housing PA66 UL94V0
 Pin Copper Alloy, Sn plated
 Cage Copper Alloy, Ni plated
 Screws M2.5; Steel Zn plated
 Side Block ---
 Nut screw ---
 Clamp ---

General description of ordering code

Series	n. Poles	Pitch	Version	Color	Custom
MMR52	2÷24	-5	-V		

Version Date

2020/01 28/04/2020



UNITS: mm		SHEET SIZE: ISO A4		SCALE: 4:1	
> 0 ~ 3	> 3 ~ 18	> 18 ~ 50	> 50 ~ 120		
± 0.12	± 0.15	± 0.3	± 0.5		



MMR52-5-H