

Approvals



Electrical

| | |
|-----------------------|------------------|
| Rated voltage | 250V |
| Rated current | 17.5A |
| Contact resistance | 20mΩ |
| Insulation resistance | 500MΩ/DC500V |
| Impulse voltage | 1.6KV |
| Wire range | 1,5mm2 22÷16 AWG |

| | |
|------------------|-------------------|
| Torque | 0,5Nm (4.5Lb In) |
| Temp. Range | -40°C + 105°C |
| Stripping lenght | 5 mm |
| Max sold. time | +250°C for 5 sec. |

Dimensions

| | |
|-------|--------|
| Pitch | 7.5 mm |
| Poles | 2÷24 |

Material

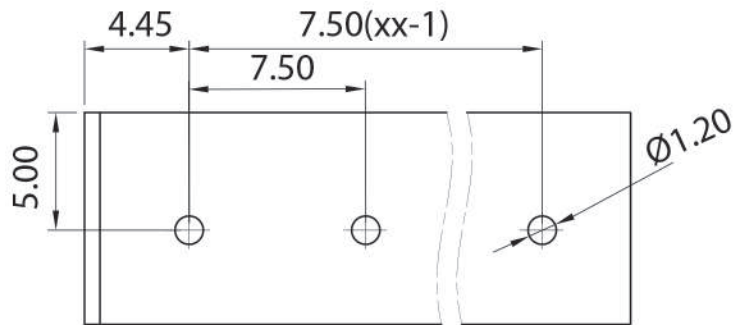
| | |
|------------|-------------------------|
| Housing | PBT UL94V0 |
| Pin | Copper Alloy, Sn plated |
| Cage | Copper Alloy, Ni plated |
| Screws | M3; Steel Zn plated |
| Side Block | --- |
| Nut screw | --- |
| Clamp | --- |

General description of ordering code

| Series | n. Poles | Pitch | Version | Color | Custom |
|--------|----------|-------|---------|-------|--------|
| MLT72 | 2÷24 | -7.5 | -V | | |

Version Date

2020/01 28/04/2020



p.c.b. layout

