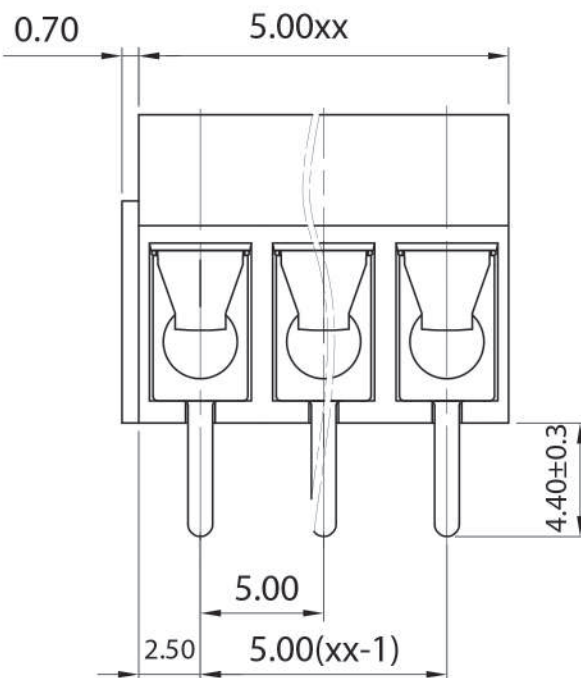
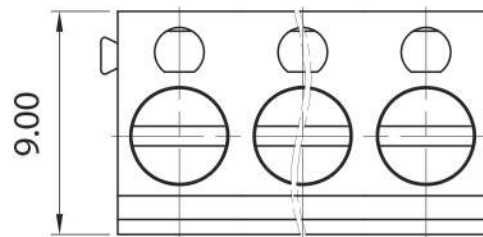
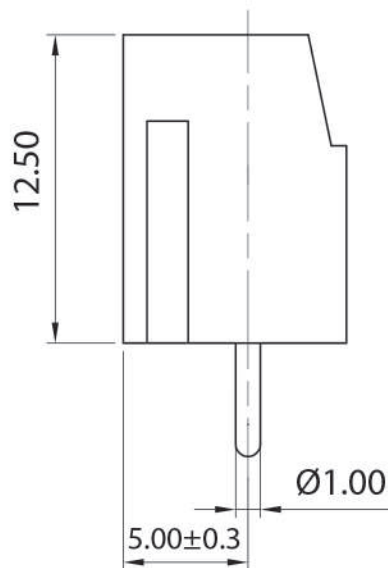


p.c.b. layout



### Approvals



16A -250V

### Electrical

|                       |                  |
|-----------------------|------------------|
| Rated voltage         | 250V             |
| Rated current         | 17.5A            |
| Contact resistance    | 20mΩ             |
| Insulation resistance | 500MΩ/DC500V     |
| Impulse voltage       | 1.6KV            |
| Wire range            | 1,5mm2 22÷16 AWG |

|                  |                   |
|------------------|-------------------|
| Torque           | 0,5Nm (4.5Lb In)  |
| Temp. Range      | -40°C + 105°C     |
| Stripping length | 5 mm              |
| Max sold. time   | +250°C for 5 sec. |

### Dimensions

|       |      |
|-------|------|
| Pitch | 5 mm |
| Poles | 2÷24 |

### Material

|            |                         |
|------------|-------------------------|
| Housing    | PBT UL94V0              |
| Pin        | Copper Alloy, Sn plated |
| Cage       | Copper Alloy, Ni plated |
| Screws     | M3; Steel Zn plated     |
| Side Block | ---                     |
| Nut screw  | ---                     |
| Clamp      | ---                     |

### General description of ordering code

| Series | n. Poles | Pitch | Version | Color | Custom |
|--------|----------|-------|---------|-------|--------|
| MLT52  | 2÷24     | -5    | -V      |       |        |

### Version Date

2020/01 28/04/2020