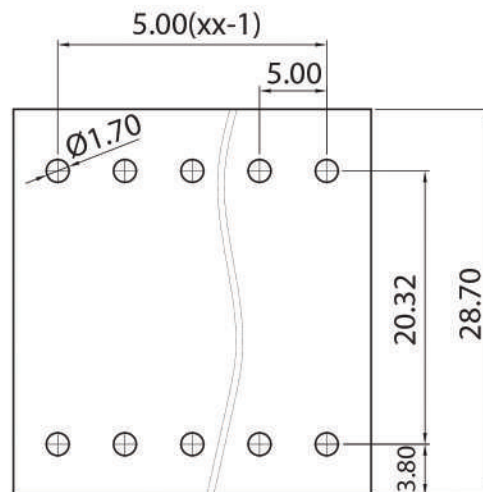
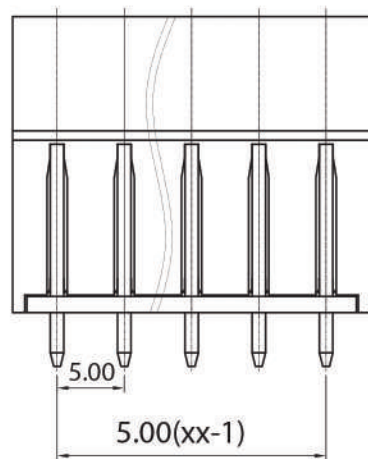


SECTION: A-A



p.c.b. layout

Approvals



15A-300V

Electrical

Rated voltage	250V
Rated current	10A
Contact resistance	20mΩ
Insulation resistance	500MΩ/DC500V
Withstanding voltage	AC2000V1 min
Wire range	

Torque	
Temp. Range	-40°C+105°C
Stripping length	
Max sold. time	+250°C for 5 sec

Dimensions

Pitch	5 mm
Poles	2+2+24+24

Material

Housing	PA66 UL94V0
Pin	Copper Alloy, tin plated
Cage	
Screws	
Side Block	
Nut screw	
Clamp	

General description of ordering code

Series	n. Poles	Pitch	Version	Color	Custom
MDL	02+24	-5	-V		

Version Date

21/01 13/05/2021