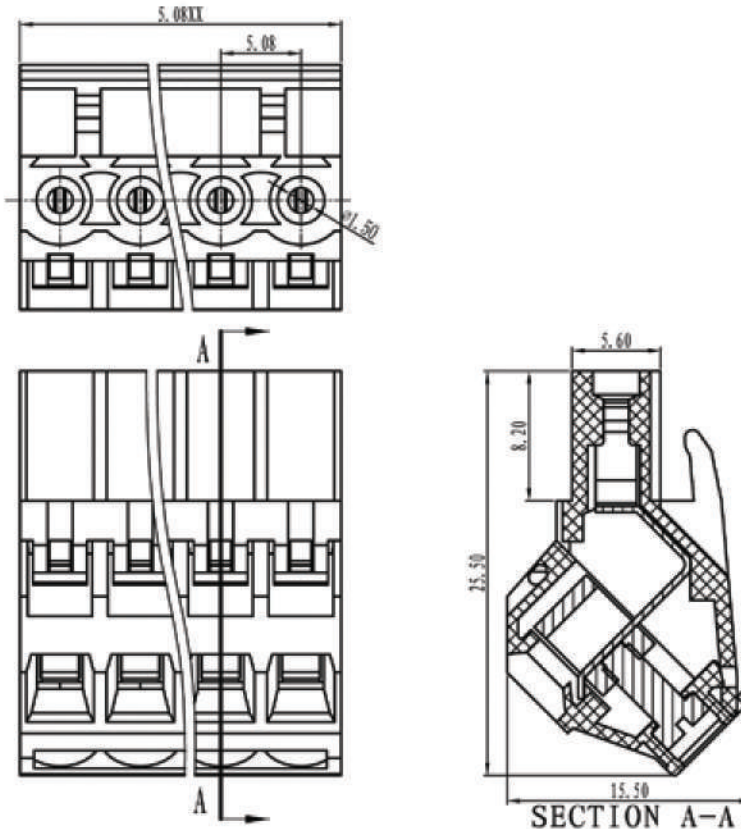




CÉLION

product specification



Electrical

Standard: UL-IEC
 Rated voltage: 250V-320V
 Rated current: 10A-20A
 Contact resistance: 20m Ω
 Wire range: 24-12AWG 2.5mm²
 Withstanding voltage: AC2000V/1Min
 Insulation resistance: 5000M Ω /DC1000V

Mechanical

Temp. Range: -40°C~+105°C
 Torque: 0.4Nm (3.5Lb' in)
 Strip length: 7mm

Dimensions

Pitch: 5.08mm
 Poles: xxp

Material

Housing: PA66, UL94V-0
 Screws: M2.5, steel Zinc plated
 Wire guard: Brass, Ni plated
 Clamp: Phosphor bronze, Ni plated

Schema generale del codice di ordinazione / General description of ordering code

serie	n°poli	passo	versione	colore	custom
CRI	2/24	5.08			

TOLERANCES EXCEPT AS NOTED

variable range	linear dimension					fillet	chamfer	short angle sid				≡	-	□	//	⊥	
	to 6	over 6 to 30	over 30 to 120	over 120 to 480	over 480 to	all	over 6 to 6	over 6 to 10	over 10 to 50	over 50 to 120	over 120 to	all	to 5	over 5 to 30	over 30 to 120	over 120 to	
tolerance	±0.1	±0.2	±0.3	±0.5	±0.9	±0.2	±0.5	±1	1'	30'	20'	10'	0.5	0.025	0.06	0.12	0.4

UNITS	mm	SIZE	A4	SCALE	FIRST ANGLE PROJECTION	
					NAME	CRI-5.08