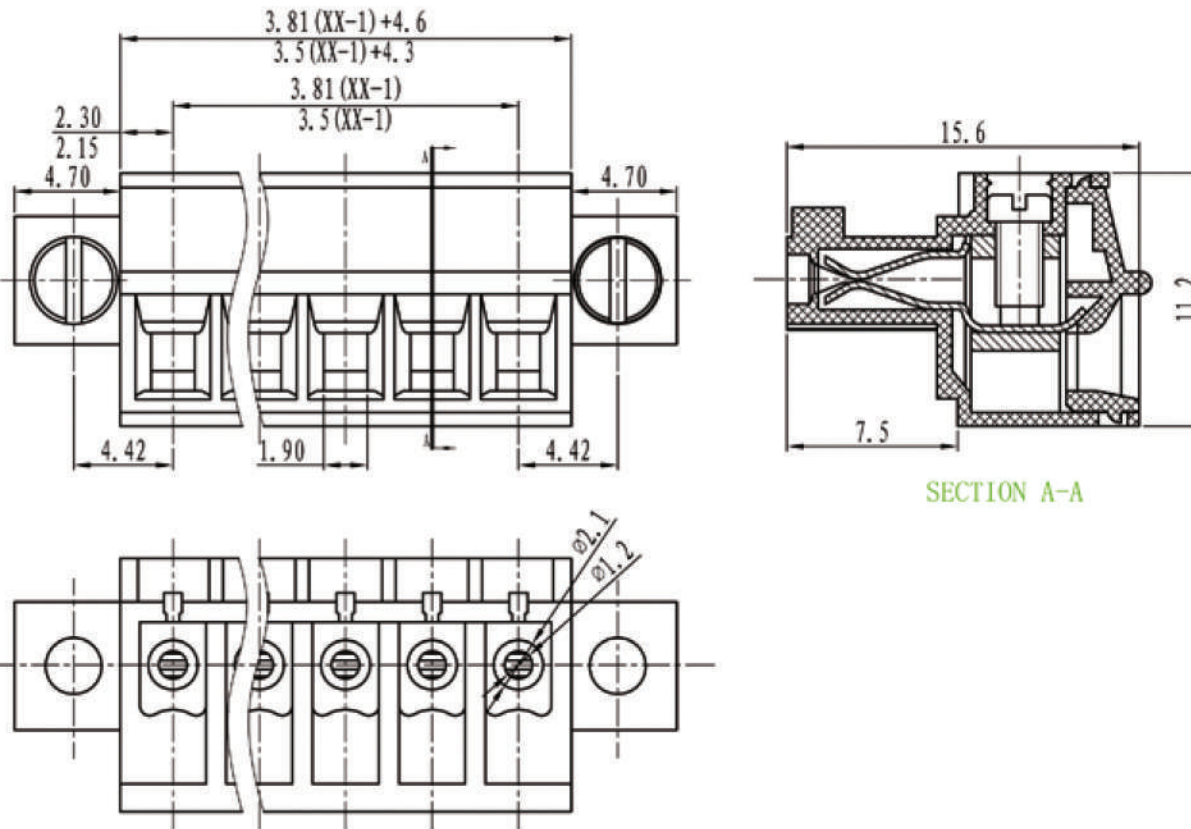




# CÉLION

product specification



TOLERANCES EXCEPT AS NOTED

	linear dimension				fillet	chamfer	short angle sid			≡	-	□	//	⊥			
	to	over 6	over 30	over 120	over 480	to	over 6	to	over 10						over 50	over 120	
variable range	to 6	to 30	to 120	to 480	all	to 6	to 10	to 30'	to 10	to 50	to 120	all	to 5	to 30	to 120		
tolerance	±0.1	±0.2	±0.3	±0.5	±0.9	±0.2	±0.5	±1	1°	30'	20'	10'	0.5	0.025	0.06	0.12	0.4

## Electrical

Standard: UL-IEC  
 Rated voltage: 125V-130V  
 Rated current: 8A-7A  
 Contact resistance: 20m Ω  
 Wire range: 28-16AWG 1.5mm<sup>2</sup>  
 Withstanding voltage: AC2000V/1Min  
 Insulation resistance: 5000M Ω/DC1000V

## Mechanical

Torque: 0.2Nm (1.7 Lb'in)  
 Temp.Range: -40°C~+105°C  
 Strip length: 6-7mm

## Dimensions

Pitch: 3.81mm/3.5mm  
 Poles: 2p-24p

## Material

Housing: PA66, UL94V-0  
 Screws: M2, steel Zinc plated  
 Wire guard: Brass, Ni plated  
 Clamp: Phosphor bronze, Ni plated

UNITS	mm	SIZE	A4	SCALE	FIRST ANGLE PROJECTION	
					NAME	CRF-3.5/3.81-F