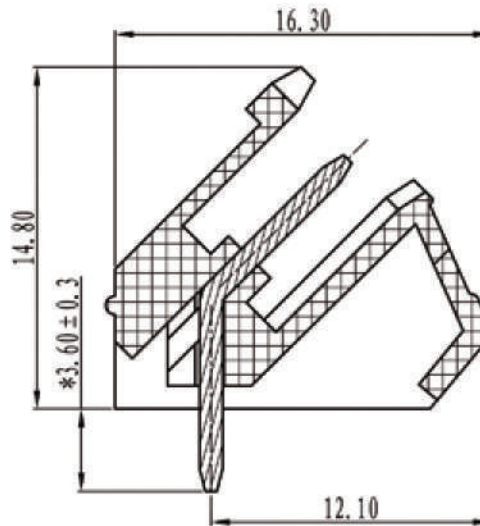
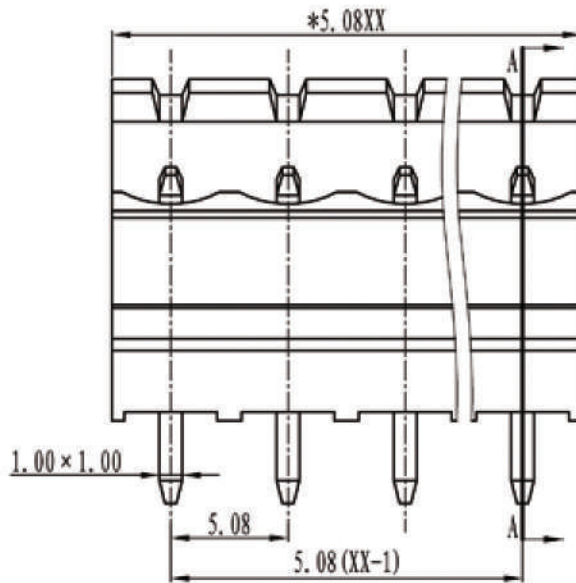




# CÉLION

product specification



SECTION A-A

### Electrical

Standard: UL-IEC  
 Rated voltage: 300V-320V  
 Rated current: 15A-20A  
 Contact resistance: 20m  $\Omega$   
 Withstanding voltage: AC2000V/1Min  
 Insulation resistance: 5000M  $\Omega$ /DC1000V

### Mechanical

Temp.Range:  $-40^{\circ}\text{C} \sim +105^{\circ}\text{C}$   
 MAX soldering:  $+250^{\circ}\text{C}$ , for 5 sec

### Dimensions

Pitch: 5.08mm  
 Poles: 2p-24p

### Material

Housing: PA66, UL94V-0  
 Pin header: Brass, Tin plated

TOLERANCES EXCEPT AS NOTED

variable range	linear dimension				fillet	chamfer	short angle sid			≡	-	□	//	⊥			
	to 6	over 6 to 30	over 30 to 120	over 120 to 480	all	over 6 to 6	to 10	over 10 to 50	over 50 to 120						all	to 5	over 5 to 30
tolerance	±0.1	±0.2	±0.3	±0.5	±0.9	±0.2	±0.5	±1	1'	30'	20'	10'	0.5	0.025	0.06	0.12	0.4

UNITS	mm	SIZE	A4	SCALE	FIRST ANGLE PROJECTION	
					NAME	CMI-5.08