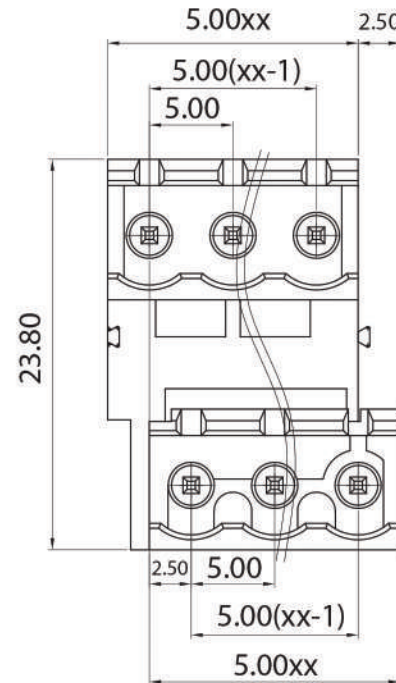
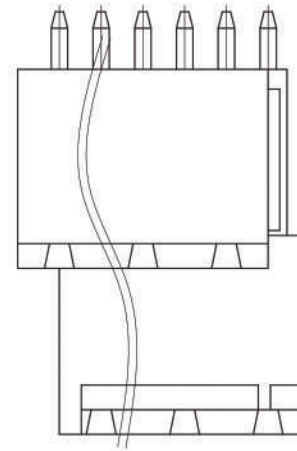
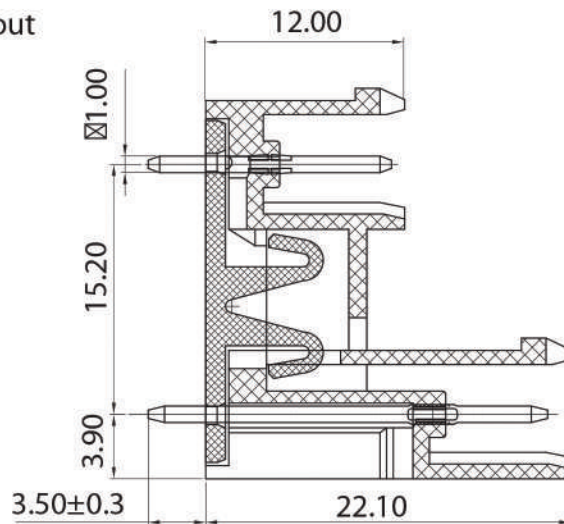


p.c.b.layout



Approvals



15A-300V

Electrical

Rated voltage 320V
 Rated current 10A
 Contact resistance 20mΩ
 Insulation resistance 500MΩ/DC500V
 Withstanding voltage AC1600V1 min
 Wire range

Torque
 Temp. Range -40°C+105°C
 Stripping length
 Max sold. time +250°C for 5 sec

Dimensions

Pitch 5.00 mm
 Poles 2+2+3+3

Material

Housing PA66 UL94V0
 Pin Copper Alloy, tin plated
 Cage
 Screws
 Side Block
 Nut screw
 Clamp

General description of ordering code

Series	n. Poles	Pitch	Version	Color	Custom
CMD	02+24	-5	-V		

Version Date

21/01 21/04/2021