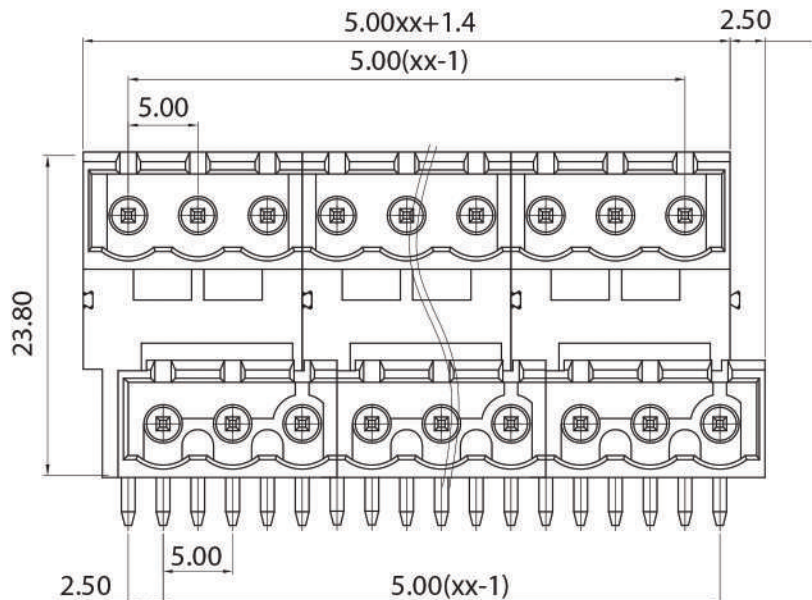
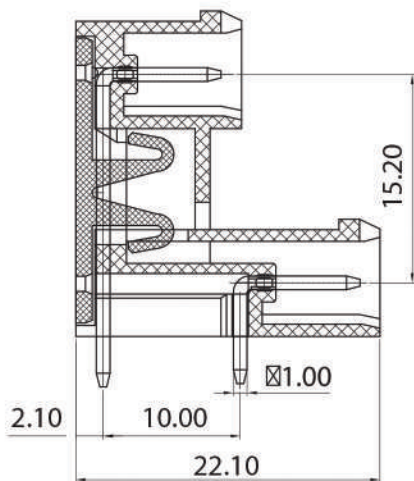
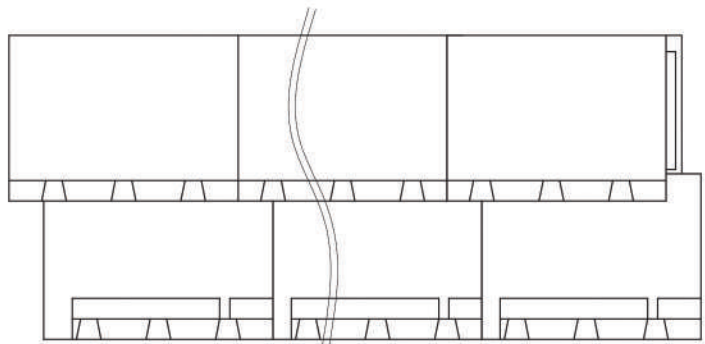


p.c.b. layout



**Approvals**



15A-300V

**Electrical**

Rated voltage 320V  
 Rated current 10A  
 Contact resistance 20mΩ  
 Insulation resistance 500MΩ/DC500V  
 Withstanding voltage AC1600V1 min  
 Wire range

Torque  
 Temp. Range -40°C+105°C  
 Stripping length  
 Max sold. time +250°C for 5 sec

**Dimensions**

Pitch 5.00 mm  
 Poles 2+2+3+3

**Material**

Housing PA66 UL94V0  
 Pin Copper Alloy, tin plated  
 Cage  
 Screws  
 Side Block  
 Nut screw  
 Clamp

**General description of ordering code**

| Series | n. Poles | Pitch | Version | Color | Custom |
|--------|----------|-------|---------|-------|--------|
| CMD    | 02+24    | -5    | -CH     |       |        |

**Version Date**

21/01 21/04/2021



| UNITS: mm |          | SHEET SIZE: ISO A4 |            | SCALE: 10:1 |  |
|-----------|----------|--------------------|------------|-------------|--|
| > 0 ~ 3   | > 3 ~ 18 | > 18 ~ 50          | > 50 ~ 120 |             |  |
| ± 0.12    | ± 0.15   | ± 0.3              | ± 0.5      |             |  |



**CMD-5-CH**