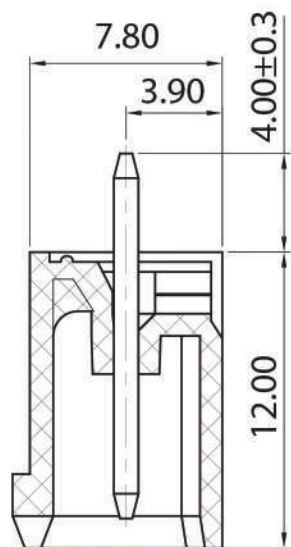
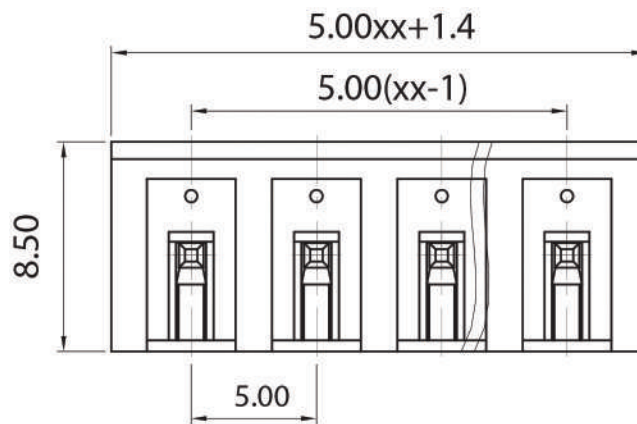
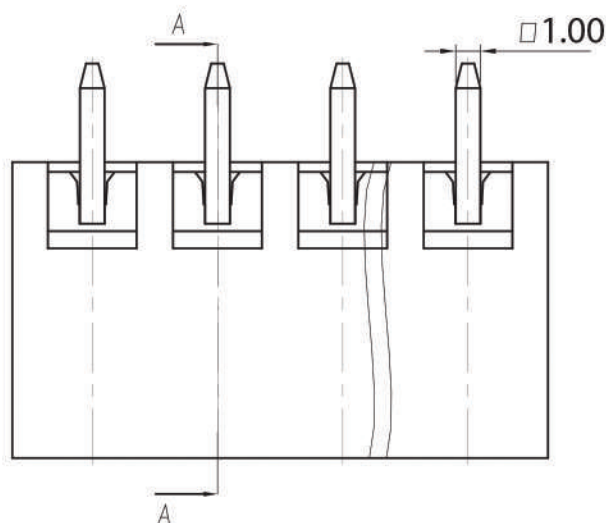


p.c.b. layout



SECTION: A-A



Approvals



15A-300V
10A-320V

Electrical

Rated voltage 320V
Rated current 20A
Contact resistance 20mΩ
Insulation resistance 500MΩ/DC500V
Withstanding voltage AC2000V1 min
Wire range

Torque
Temp. Range -40°C+105°C
Stripping lenght
Max sold. time +250°C for 5 sec

Dimensions

Pitch 5 mm
Poles 02÷24

Material

Housing PA66 UL94V0
Pin Copper Alloy, tin plated
Cage
Screws
Side Block
Nut screw
Clamp

General description of ordering code

Series	n. Poles	Pitch	Version	Color	Custom
CCM	02÷24	-5	-CV		

Version 01/19
Date 04/11/19



UNITS: mm

SHEET SIZE: ISO A4

SCALE: 10:1

> 0 ~ 3

> 3 ~ 18

> 18 ~ 50

> 50 ~ 120

± 0.12

± 0.15

± 0.3

± 0.5



CCM-5-CV