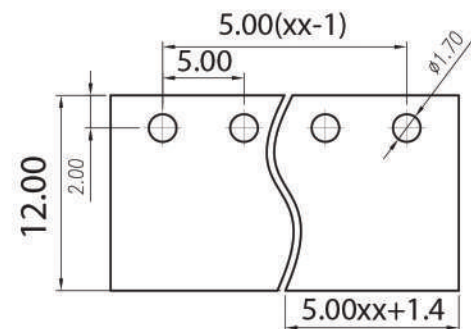
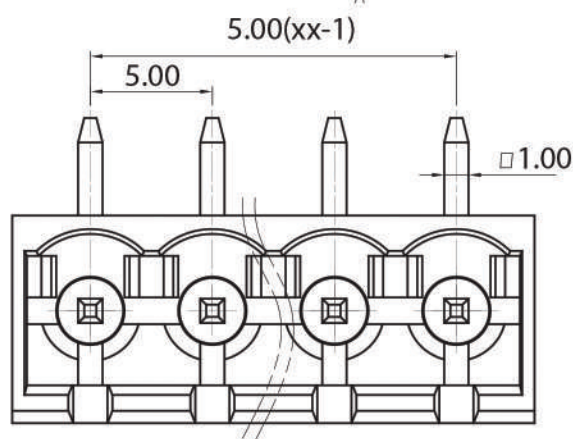


SECTION: A-A



p.c.b. layout

Approvals

	15A-300V
	10A-320V

Electrical

Rated voltage	320V
Rated current	20A
Contact resistance	20mΩ
Insulation resistance	500MΩ/DC500V
Withstanding voltage	AC2000V1 min
Wire range	
Torque	
Temp. Range	-40°C+105°C
Stripping length	
Max sold. time	+250°C for 5 sec

Dimensions

Pitch	5 mm
Poles	02÷24

Material

Housing	PA66 UL94V0
Pin	Copper Alloy, tin plated
Cage	
Screws	
Side Block	
Nut screw	
Clamp	

General description of ordering code

Series	n. Poles	Pitch	Version	Color	Custom
CCM	02÷24	-5	-CH		

Version Date

01/19	07/11/19
-------	----------



UNITS: mm		SHEET SIZE: ISO A4		SCALE: 10:1	
> 0 ~ 3	> 3 ~ 18	> 18 ~ 50	> 50 ~ 120		
± 0.12	± 0.15	± 0.3	± 0.5		



CCM-5-CH