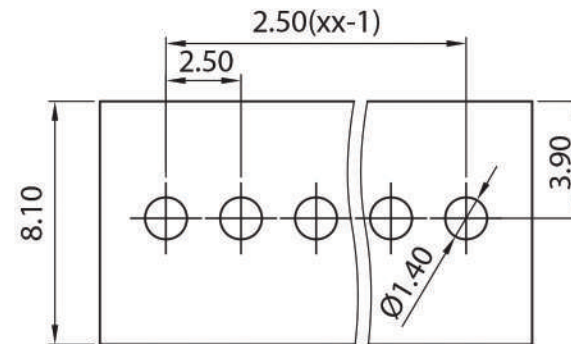


Section: A-A



p.c.b. layout

Approvals



5A-150V

Electrical

Rated voltage	130V
Rated current	6A
Contact resistance	20mΩ
Insulation resistance	500MΩ/DC500V
Withstanding voltage	AC1600V/1min
Wire range	

Torque	
Temp. Range	-40°C+105°C
Stripping length	
Max sold. time	+250°C for 5 sec

Dimensions

Pitch	2.5 mm
Poles	02÷24

Material

Housing	PA66 UL94V0
Pin	Copper Alloy, tin plated
Cage	
Screws	
Side Block	
Nut screw	
Clamp	

General description of ordering code

Series	n. Poles	Pitch	Version	Color	Custom
CCM	02÷24	-2.5	-CV		

Version Date

2020/01 05/11/2020