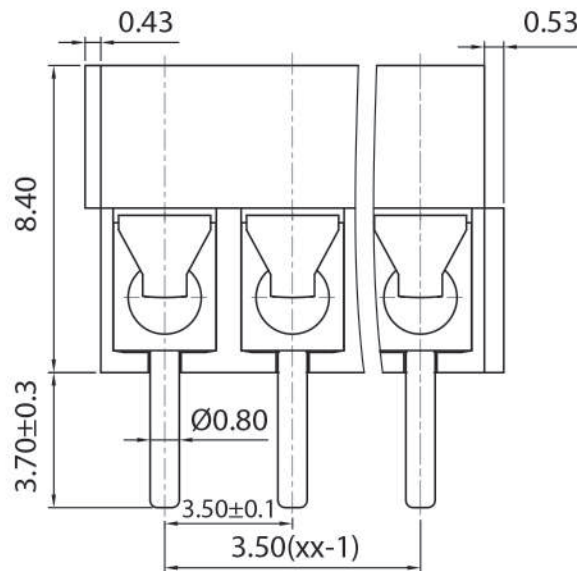
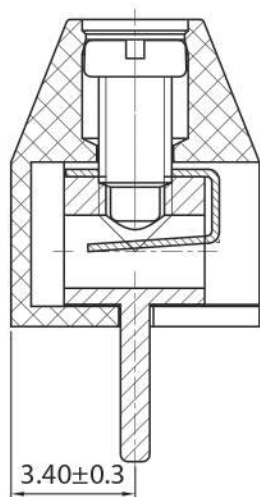
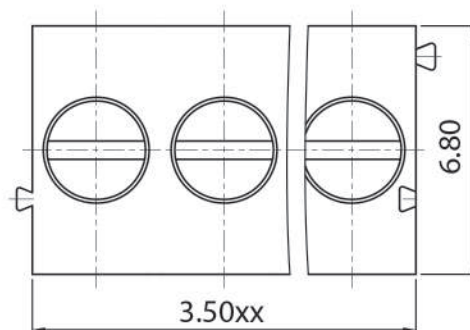


p.c.b. layout



Approvals



10A 125V
not approved

Electrical

Rated voltage 250V
Rated current 10A
Contact resistance 20mΩ
Insulation resistance 500MΩ/DC500V
Withstanding voltage AC1600V/ 1min
Wire range 24-18 AWG - 1mm2

Torque 0,2Nm(1.8 Lbin)
Temp. Range -40°C + 105°C
Stripping lenght 5 mm
Max sold. time +250°C for 5 sec

Dimensions

Pitch 3,50 mm
Poles 2÷24

Material

Housing PA66 UL94V0
Pin Copper Alloy, tin plated
Cage
Screws M2 Steel, Zn plated
Side Block
Nut screw
Clamp Phosphor bronze, Ni plated

General description of ordering code

| Series | n. Poles | Pitch | Version | Color | Custom |
|--------|----------|-------|---------|-------|--------|
| BLT31 | 2÷24 | -3.5 | -V | | |

Version Date

2020/01 13/11/2020